

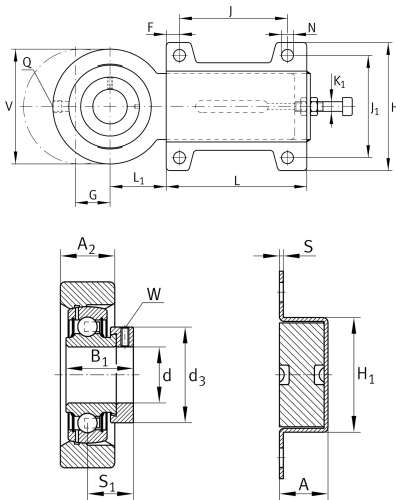
PHUSE25-XL

Take-up housing unit

Schaeffler ID:
0009649210000

Take-up housing units PHUSE, cast iron and sheet steel housing, radial insert ball bearing with eccentric locking collar, P seals

Technical information



Dimensions

L_1	50 mm	Distance shaft axis
A_2	22 mm	Width housing
H_1	52 mm	Height guidance
K_1	M12	Thread adjusting screw
S	4 mm	Thickness of flange
F	20 mm	Distance fixing bore outside
G	65 mm	Axial displacement
Q	M6	Connection thread lubrication
	2,535 kg	Weight

Main Dimensions & Performance Data

d	25 mm	Bore diameter
H	103 mm	Height flange
A	28 mm	Height housing
V	78 mm	Shoulder diameter housing
L	187 mm	Length total
C_{0rG}	7.800 N	Load carrying capacity (housing)

Mounting dimensions

N	11.5 mm	Fixing bore
J	140 mm	Distance fixing bore
J_1	80 mm	Bore distance width

Additional information

HUE05	Housing
HUSE07	Housing (Part 2)
GRAE25-XL-NPP-B	Bearing designation