



## PCJ45-XL

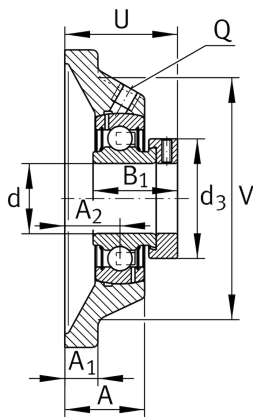
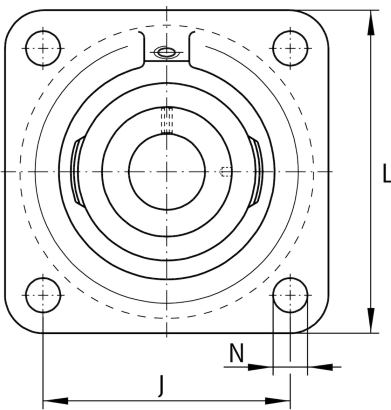
### Flanged housing unit

Schaeffler ID:  
0009400890000

Housing units PCJ, four-bolt flanged housing units, cast iron, eccentric locking collar, P seals

X-life

## Technical information



### Dimensions

A	35 mm	Height housing
A <sub>1</sub>	13 mm	Thickness of flange
A <sub>2</sub>	24 mm	Distance raceway
V	116 mm	Shoulder diameter housing
Q	Rp1/8	Connection thread lubrication
d <sub>3</sub>	63 mm	Outside diameter eccentric locking collar
	2,24 kg	Weight

### Main Dimensions & Performance Data

d	45 mm	Bore diameter
L	137 mm	Flange width
U	56,7 mm	Total height unit
C <sub>r</sub>	34.500 N	Basic dynamic load rating, radial
C <sub>0r</sub>	20.400 N	Basic static load rating, radial
C <sub>ur</sub>	1.060 N	Fatigue load limit, radial

### Mounting dimensions

J	105 mm	Distance fixing bore
N	14 mm	Fixing bore
n	4	Number of screwing holes

### Additional information

	1	Number of housings
	CJ09	Housing
	GRAE45-XL-NPP-B	Bearing designation