



## PCFT30-XL

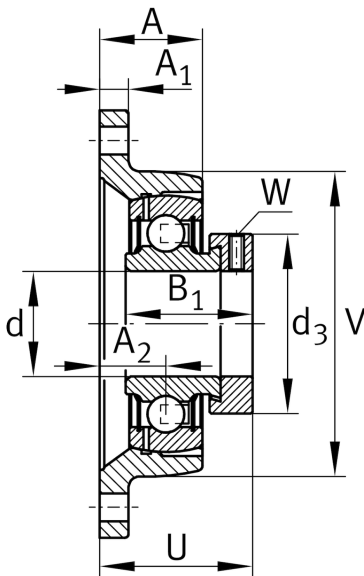
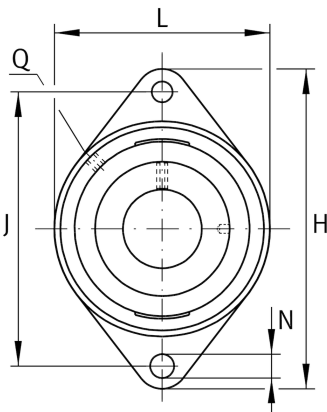
### Flanged housing unit

Schaeffler ID:  
0008315810000

Housing units PCFT, two-bolt flanged housing units, cast iron, eccentric locking collar, P seals

X-life

## Technical information



### Dimensions

A	22,3 mm	Height housing
A <sub>1</sub>	12 mm	Thickness of flange
A <sub>2</sub>	13,3 mm	Distance raceway
V	80 mm	Shoulder diameter housing
Q	M6	Connection thread lubrication
d <sub>3</sub>	44 mm	Outside diameter eccentric locking collar
	0,77 kg	Weight

### Main Dimensions & Performance Data

d	30 mm	Bore diameter
L	80 mm	Flange width
H	142 mm	Height flange
U	40 mm	Total height unit
C <sub>r</sub>	19.500 N	Basic dynamic load rating, radial
C <sub>0r</sub>	11.300 N	Basic static load rating, radial
C <sub>ur</sub>	480 N	Fatigue load limit, radial

### Mounting dimensions

J	116,5 mm	Distance fixing bore
N	11,5 mm	Fixing bore
n	2	Number of screwing holes

### Additional information

	1	Number of housings
	CFT06	Housing
	GRAE30-XL-NPP-B	Bearing designation