



PCFT20-XL

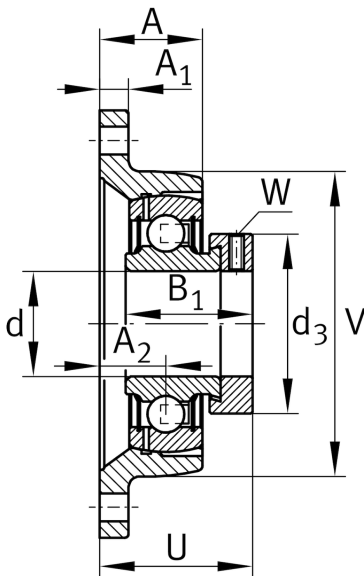
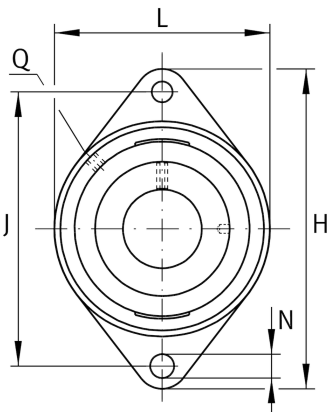
Flanged housing unit

Schaeffler ID:
0008314170000

Housing units PCFT, two-bolt flanged housing units, cast iron, eccentric locking collar, P seals

X-life

Technical information



Dimensions

A	17,5 mm	Height housing
A ₁	10 mm	Thickness of flange
A ₂	10,5 mm	Distance raceway
V	61 mm	Shoulder diameter housing
Q	M6	Connection thread lubrication
d ₃	33 mm	Outside diameter eccentric locking collar
	0,39 kg	Weight

Main Dimensions & Performance Data

d	20 mm	Bore diameter
L	61 mm	Flange width
H	112 mm	Height flange
U	34 mm	Total height unit
C _r	13.600 N	Basic dynamic load rating, radial
C _{0r}	6.600 N	Basic static load rating, radial
C _{ur}	345 N	Fatigue load limit, radial

Mounting dimensions

J	90 mm	Distance fixing bore
N	11,5 mm	Fixing bore
n	2	Number of screwing holes

Additional information

1	Number of housings
CFT04	Housing
GRAE20-XL-NPP-B	Bearing designation