



PASEY40-XL-N

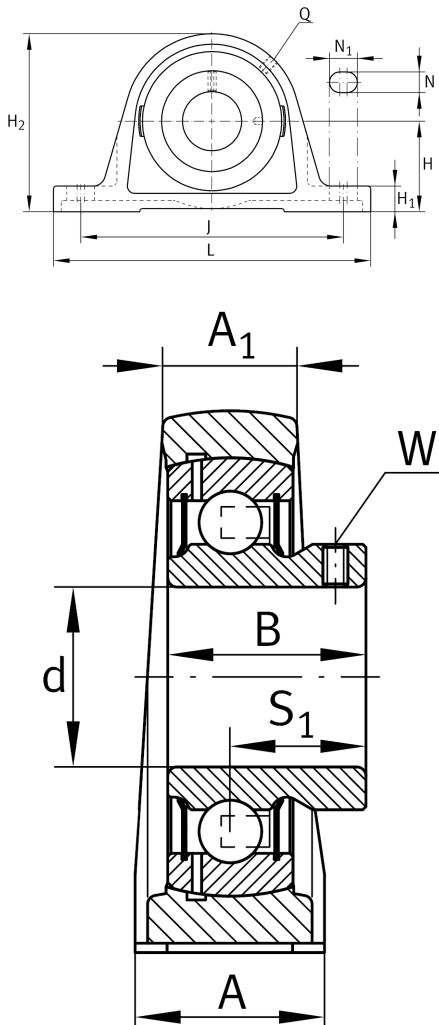
Plummer block housing unit

Schaeffler ID:
0945131200000

Plummer block housing units PASEY, cast iron housing, radial insert ball bearing with grub screws in inner ring, P seals

X-life

Technical information



Dimensions

H	49,2 mm	Distance shaft axis
A	48 mm	Width (base)
A ₁	30 mm	Width (head)
H ₁	19 mm	Height (base)
B	39,45 mm	Width
S ₁	28,95 mm	Distance of raceway to locking collar
Q	M6	Connection thread lubrication
	1,75 kg	Weight

Main Dimensions & Performance Data

d	40 mm	Bore diameter
L	179 mm	Length total
H ₂	99 mm	Height

Mounting dimensions

J	138,25 mm	Distance fixing bore
N	14 mm	Width (slot)
N ₁	26 mm	Length (slot)

Additional information

ASE08	Housing
GAY40-XL-NPP-B	Bearing designation
KASK08	Protecting cap