



## PASEY25-XL-N

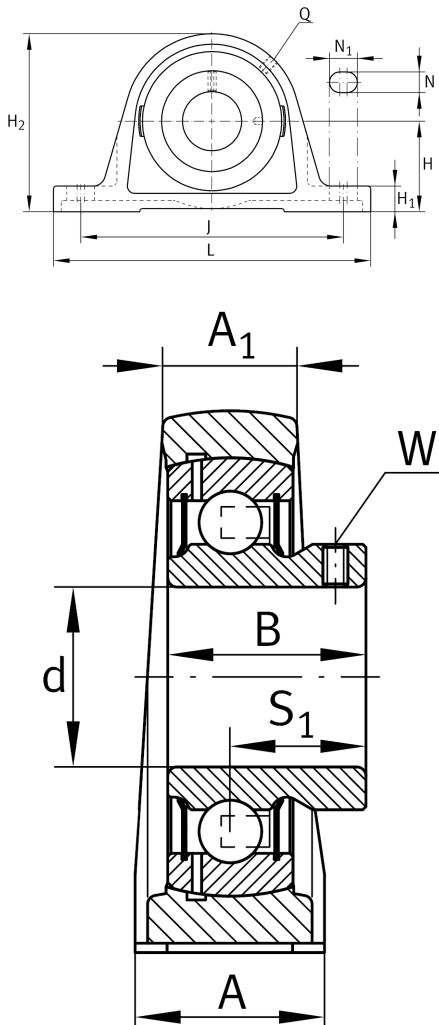
Plummer block housing unit

Schaeffler ID:  
0008820700000

Plummer block housing units PASEY, cast iron housing, radial insert ball bearing with grub screws in inner ring, P seals

X-life

### Technical information



#### Dimensions

H	36,5 mm	Distance shaft axis
A	36 mm	Width (base)
A <sub>1</sub>	21 mm	Width (head)
H <sub>1</sub>	14,5 mm	Height (base)
B	27 mm	Width
S <sub>1</sub>	19,5 mm	Distance of raceway to locking collar
Q	M6	Connection thread lubrication
	0,67 kg	Weight

#### Main Dimensions & Performance Data

d	25 mm	Bore diameter
L	130 mm	Length total
H <sub>2</sub>	70 mm	Height

#### Mounting dimensions

J	102,5 mm	Distance fixing bore
N	11 mm	Width (slot)
N <sub>1</sub>	19 mm	Length (slot)

#### Additional information

ASE05	Housing
GAY25-XL-NPP-B	Bearing designation
KASK05	Protecting cap