



PASE30-XL-N

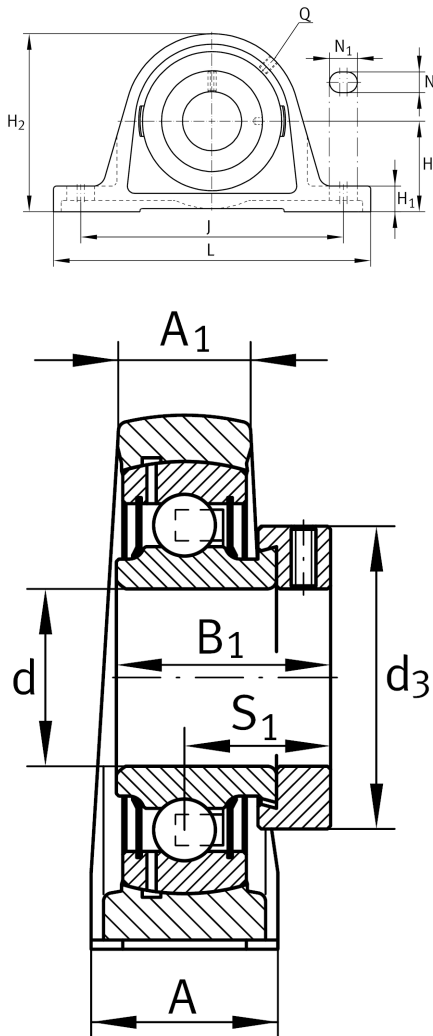
Plummer block housing unit

Schaeffler ID:
0945128500000

Plummer block housing units PASE, cast iron housing, radial insert ball bearing with eccentric locking collar, P seals

X-life

Technical information



Dimensions

H	42,9 mm	Distance shaft axis
A	40 mm	Width (base)
A ₁	25 mm	Width (head)
H ₁	17 mm	Height (base)
B ₁	35,8 mm	Locking collar total width
S ₁	26,8 mm	Distance of raceway to locking collar
Q	M6	Connection thread lubrication
	1,13 kg	Weight

Main Dimensions & Performance Data

d	30 mm	Bore diameter
L	158 mm	Length total
H ₂	82 mm	Height

Mounting dimensions

J	117,5 mm	Distance fixing bore
N	14 mm	Width (slot)
N ₁	22 mm	Length (slot)

Additional information

ASE06	Housing
GRAE30-XL-NPP-B	Bearing designation
KASK06	Protecting cap