

## ★ LR5205-2HRS-TVH-XL

Track roller

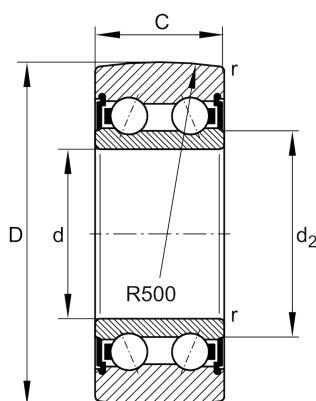
Schaeffler ID:  
0827476790000

Track roller LR...-2HRS-TVH-XL, two-row,  
no plastic tyre

★ Preferred product

X-life

### Technical information



#### Main Dimensions & Performance Data

D	62 mm	Outside diameter
d	25 mm	Bore diameter
C	20,6 mm	Height
$C_{r w}$	19.700 N	Basic dynamic load rating, radial
$C_{0r w}$	15.900 N	Basic static load rating, radial
$C_{ur w}$	820 N	Fatigue load limit, radial
$n_{DG}$	4.500 1/min	Speed on permanent grease lubrication
$F_{r per}$	15.900 N	Permissible dynamic load outer ring, radial
	0,314 kg	Weight

#### Dimensions

$d_2$	34,2 mm	Diameter of thrust washer
$r_{min}$	1 mm	Minimum chamfer dimension
R	500 mm	Radius of outer ring outside profile