

LR5203-2Z-TVH-XL

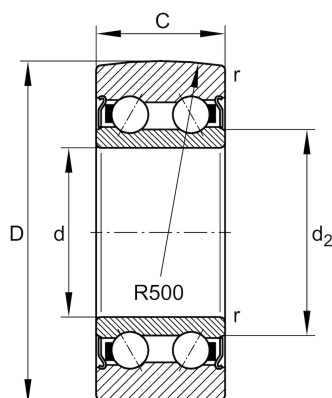
Track roller

Schaeffler ID:
0826281060000

Track roller LR...-2Z-TVH-XL, two-row, no plastic tyre

X-life

Technical information



Dimensions

d_2	24,4 mm	Diameter of thrust washer
r_{\min}	0,6 mm	Minimum chamfer dimension
R	500 mm	Radius of outer ring outside profile
	0,17 kg	Weight

Main Dimensions & Performance Data

D	47 mm	Outside diameter
d	17 mm	Bore diameter
C	17,5 mm	Height
$C_{r w}$	13.700 N	Basic dynamic load rating, radial
$C_{0r w}$	10.100 N	Basic static load rating, radial
$C_{ur w}$	510 N	Fatigue load limit, radial
n_{DG}	8.900 1/min	Speed on permanent grease lubrication
$F_{r per}$	10.100 N	Permissible dynamic load outer ring, radial