

## ★ KH25-PP

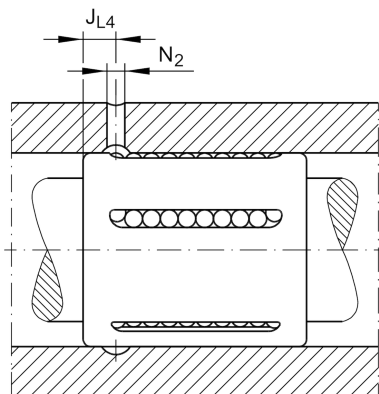
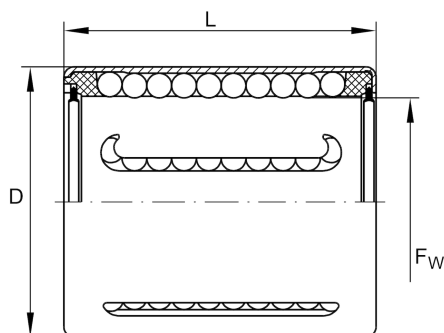
Linear ball bearing

Schaeffler ID:  
0017207750000

★ Preferred product

Linear ball bearings with initial greasing,  
sealed on both sides, with relubrication  
facility

### Technical information



### Main Dimensions & Performance Data

$F_w$	25 mm	Diameter shaft
D	35 mm	Outer diameter
L	40 mm	Länge
$C_{min}$	2.280 N	load capacity dyn.
$C_{0min}$	1.670 N	load capacity stat.
$C_{max}$	2.420 N	load capacity dyn.
$C_{0max}$	2.130 N	load capacity stat.
	65,6 g	Weight

### Additional information

VMKB_065	KH	Material name
----------	----	---------------

### Mounting dimensions

$J_{L4}$	8 mm
$N_2$	2,5 mm