

## ★ KB12-PP-AS

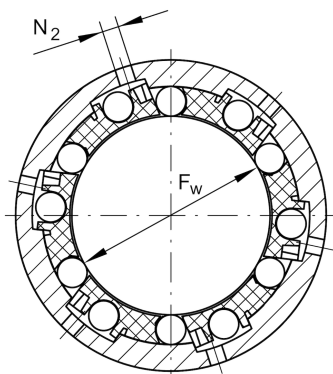
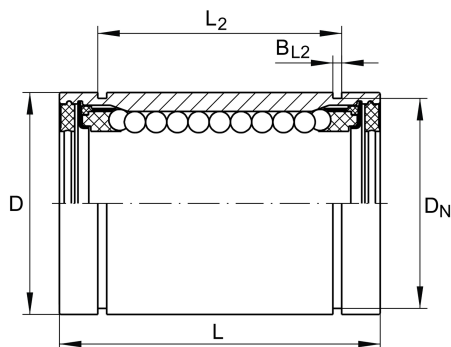
Linear ball bearing

Schaeffler ID:  
0017181690000

★ Preferred product

Linear ball bearings KB...PP-AS, machined range, sealed on all sides, with relubrication facility, corrosion-resistant design possible

### Technical information



### Main Dimensions & Performance Data

$F_w$	12 mm	Bore diameter of ball complement
	+0,008/0	Tolerance
$D$	22 mm	Outside diameter
	h5	Tolerance
$L$	32 mm	length
	h12	Tolerance
$C_{min}$	540 N	load capacity dyn.
$C_{0min}$	385 N	load capacity stat.
$C_{max}$	640 N	load capacity dyn.
$C_{0max}$	570 N	load capacity stat.
	36,24 g	Weight

### Mounting dimensions

$L_2$	22,6 mm	
	H13	Tolerance
$B_{L2}$	1,3 mm	
$D_N$	21 mm	
$N_2$	1,5 mm	
	5	Number of rows balls