

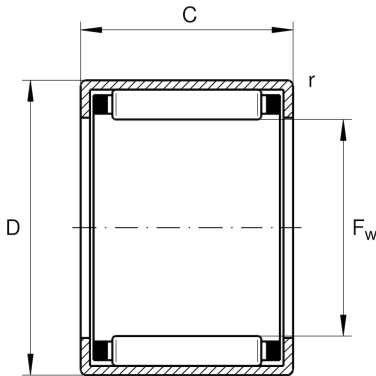
HK3016-B

Drawn cup needle roller bearing open end

Schaeffler ID:
0037375940000

Drawn cup needle roller bearings with
open ends HK, to DIN 618/ISO 3245

Technical information



Additional information

SD30X37X4	Sealing ring
G30X37X4	Sealing ring 2
LR25X30X16,5	Suitable inner rings LR
IR25X30X17-XL	Suitable inner rings IR
28,9 g	Weight

Main Dimensions & Performance Data

F_w	30 mm	Under roller diameter
D	37 mm	Outside diameter
C	16 mm	Width
C_r	17.200 N	Basic dynamic load rating, radial
C_{0r}	29.000 N	Basic static load rating, radial
C_{ur}	3.850 N	Fatigue load limit, radial
n_G	8.600 1/min	Limiting speed
$n_{G \text{ Grease}}$	5.200 1/min	Limiting speed for grease lubrication
n_{gr}	6.400 1/min	Reference speed

Dimensions

C_1	16 mm	Width, outer ring
r_{min}	0,8 mm	Minimum chamfer dimension

Temperature range

T_{min}	-30 °C	Operating temperature min.
T_{max}	140 °C	Operating temperature max.