

★ HK2020-2RS

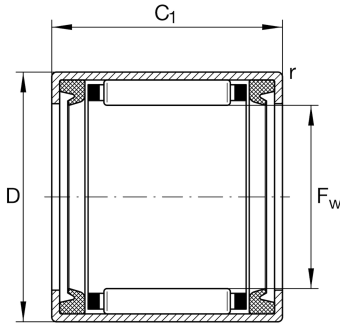
Drawn cup needle roller bearing open end

Schaeffler ID:
0007009670968

Drawn cup needle roller bearings with open ends HK..-2RS, lip seals on both sides, to DIN 618

★ Preferred product

Technical information



Main Dimensions & Performance Data

F_w	20 mm	Under roller diameter
D	26 mm	Outside diameter
C	20 mm	Width
C_r	12.700 N	Basic dynamic load rating, radial
C_{0r}	20.100 N	Basic static load rating, radial
C_{ur}	2.550 N	Fatigue load limit, radial
n_G	7.600 1/min	Limiting speed
$n_{G \text{ Grease}}$	7.600 1/min	Limiting speed for grease lubrication
	22,47 g	Weight

Dimensions

C_1	20 mm	Width, outer ring
r_{\min}	0,8 mm	Minimum chamfer dimension

Temperature range

T_{\min}	-20 °C	Operating temperature min.
T_{\max}	100 °C	Operating temperature max.

Additional information

	LR17X20X20,5	Suitable inner rings LR
	IR17X20X20-XL	Suitable inner rings IR