

★ HK2012

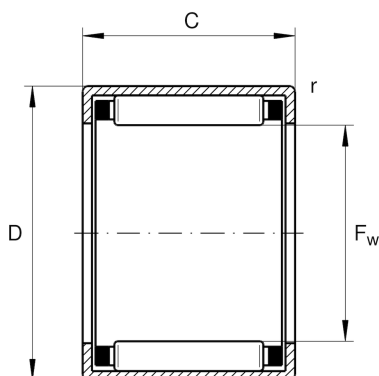
Drawn cup needle roller bearing open end

Schaeffler ID:
0000592930000

Drawn cup needle roller bearings with
open ends HK, to DIN 618/ISO 3245

★ Preferred product

Technical information



Main Dimensions & Performance Data

F_w	20 mm	Under roller diameter
D	26 mm	Outside diameter
C	12 mm	Width
C_r	8.600 N	Basic dynamic load rating, radial
C_{0r}	12.100 N	Basic static load rating, radial
C_{ur}	1.480 N	Fatigue load limit, radial
n_G	12.700 1/min	Limiting speed
$n_{G \text{ Grease}}$	7.600 1/min	Limiting speed for grease lubrication
$n_{\vartheta r}$	9.700 1/min	Reference speed
	13,99 g	Weight

Dimensions

C_1	12 mm	Width, outer ring
r_{\min}	0,8 mm	Minimum chamfer dimension

Temperature range

T_{\min}	-30 °C	Operating temperature min.
T_{\max}	140 °C	Operating temperature max.

Additional information

	SD20X26X4	Sealing ring
	G20X26X4	Sealing ring 2
	IR15X20X13-XL	Suitable inner rings IR