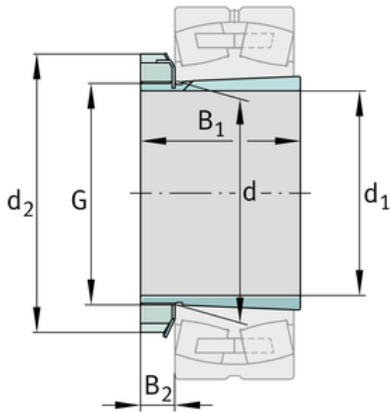
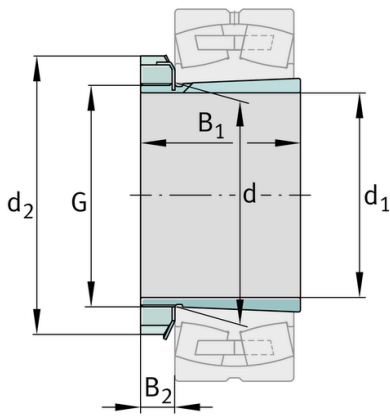
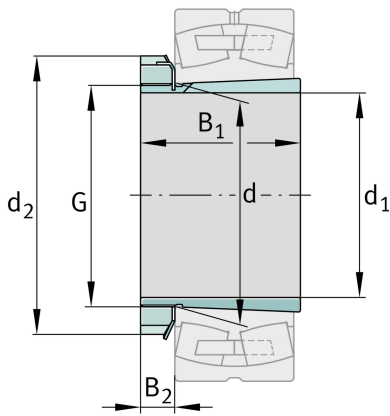


**FAG****H317****Adapter sleeve**Schaeffler ID:  
0167312800000Adapter sleeve H, accessory rolling  
bearing, complete, mechanical, FP

## Technical information

**Dimensions**

d	85 mm	Bore diameter bearing
d <sub>2</sub>	110 mm	Outside diameter nut
B <sub>2</sub>	17,75 mm	Width nut and lock
	1,2 kg	Weight

**Main Dimensions & Performance Data**

d <sub>1</sub>	75 mm	bore diameter
G	M85x2	Thread
B <sub>1</sub>	63 mm	sleeve length

**Additional information**

	KM17	Locknut
	MB17	Fuse
	1:12	Taper

