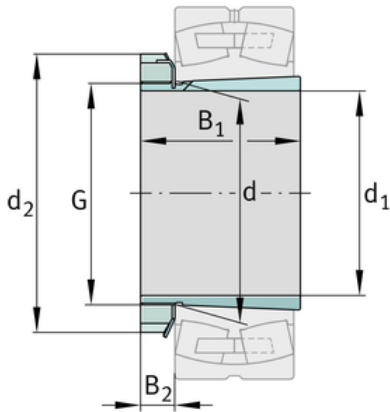
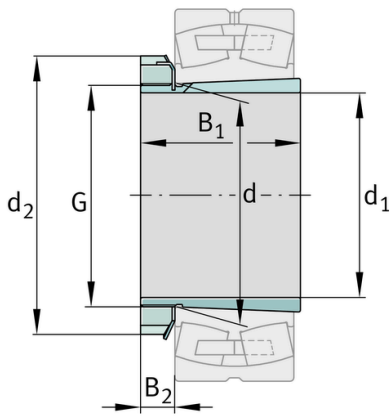
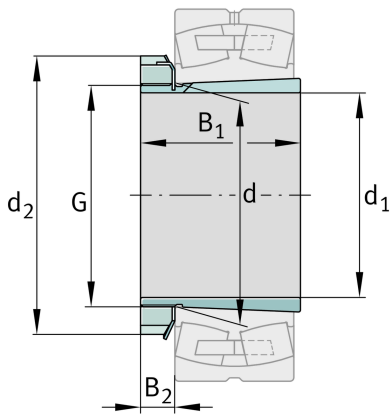
**FAG****H3148X**

Adapter sleeve

Schaeffler ID:
0191768480000Adapter sleeve H, accessory rolling
bearing, complete, mechanical, FP

Technical information

**Dimensions**

d	240 mm	Bore diameter bearing
d ₂	300 mm	Outside diameter nut
B ₂	37 mm	Width nut and lock
	18,7 kg	Weight

Main Dimensions & Performance Data

d ₁	220 mm	bore diameter
G	Tr240X4	Thread
B ₁	172 mm	sleeve length

Additional information

	HM48T	Locknut
	MB48	Fuse
	1:12	Taper

