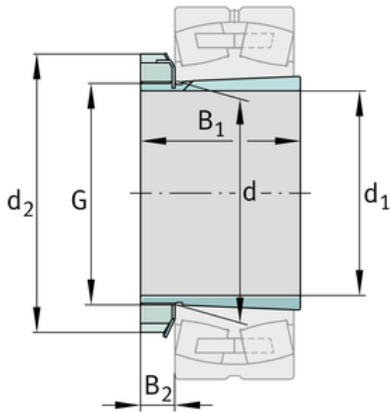
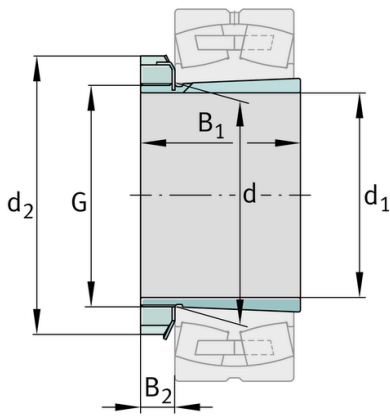
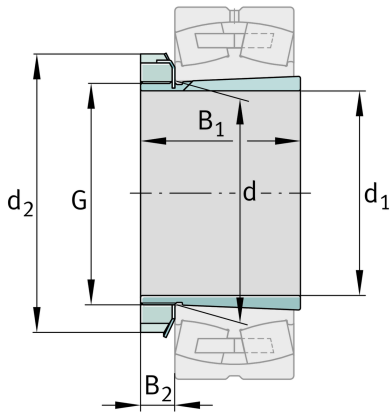


**FAG****H307****Adapter sleeve**Schaeffler ID:
0167310420000Adapter sleeve H, accessory rolling
bearing, complete, mechanical, FP

Technical information

**Dimensions**

| | | |
|----------------|----------|-----------------------|
| d | 35 mm | Bore diameter bearing |
| d ₂ | 52 mm | Outside diameter nut |
| B ₂ | 9,25 mm | Width nut and lock |
| | 0,142 kg | Weight |

Main Dimensions & Performance Data

| | | |
|----------------|---------|---------------|
| d ₁ | 30 mm | bore diameter |
| G | M35x1,5 | Thread |
| B ₁ | 35 mm | sleeve length |

Additional information

| | | |
|--|------|---------|
| | KM7 | Locknut |
| | MB7 | Fuse |
| | 1:12 | Taper |

