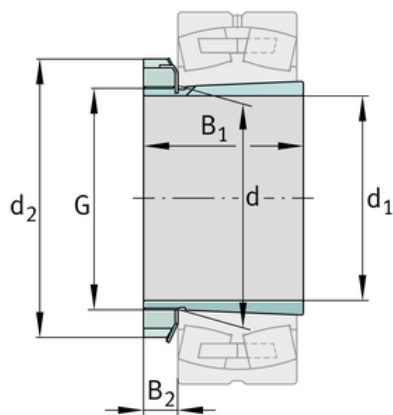
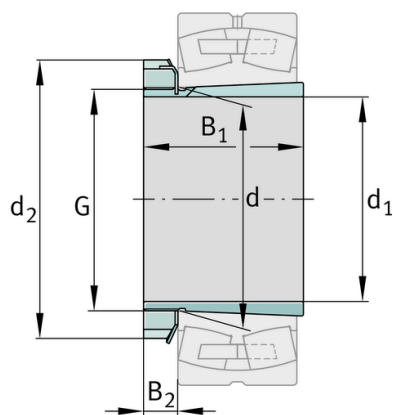
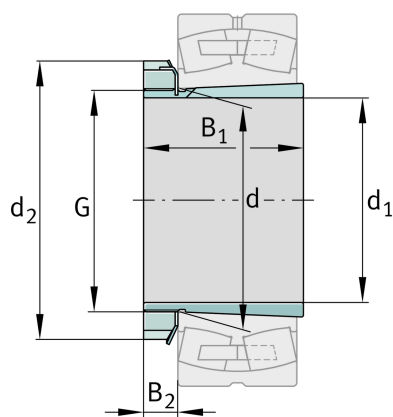


**FAG****H2330**

Adapter sleeve

Schaeffler ID:
0167308870000Adapter sleeve H, accessory rolling
bearing, complete, mechanical, FP

Technical information

**Dimensions**

d	150 mm	Bore diameter bearing
d ₂	195 mm	Outside diameter nut
B ₂	26 mm	Width nut and lock
	6,9 kg	Weight

Main Dimensions & Performance Data

d ₁	135 mm	bore diameter
G	M150x2	Thread
B ₁	139 mm	sleeve length

Additional information

	KM30	Locknut
	MB30	Fuse
	1:12	Taper

