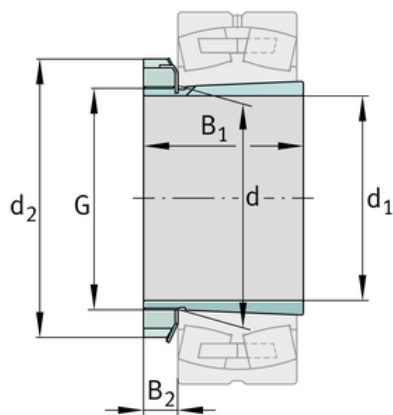
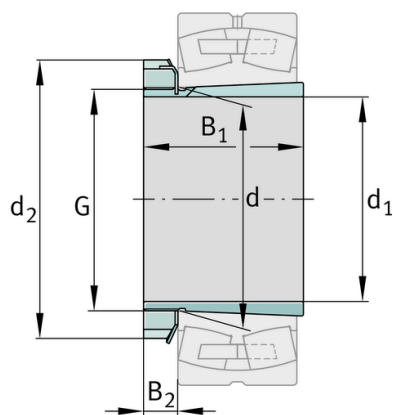
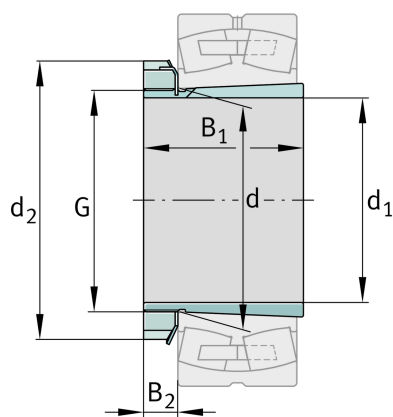


**FAG****H2322**

Adapter sleeve

Schaeffler ID:
0167308440000Adapter sleeve H, accessory rolling
bearing, complete, mechanical, FP

Technical information

**Dimensions**

d	110 mm	Bore diameter bearing
d ₂	145 mm	Outside diameter nut
B ₂	20,75 mm	Width nut and lock
	2,74 kg	Weight

Main Dimensions & Performance Data

d ₁	100 mm	bore diameter
G	M110x2	Thread
B ₁	105 mm	sleeve length

Additional information

	KM22	Locknut
	MB22	Fuse
	1:12	Taper

