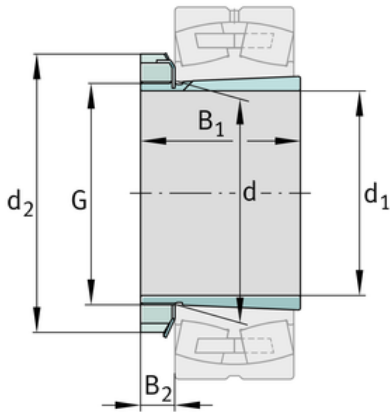
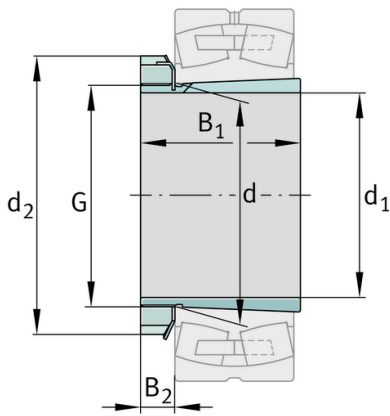
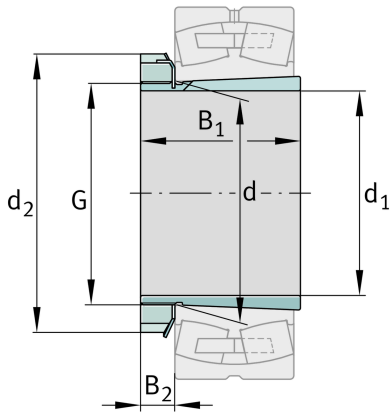


**FAG****H2309**

## Adapter sleeve

Schaeffler ID:  
0167307390000Adapter sleeve H, accessory rolling  
bearing, complete, mechanical, FP

## Technical information

**Dimensions**

d	45 mm	Bore diameter bearing
d <sub>2</sub>	65 mm	Outside diameter nut
B <sub>2</sub>	11,25 mm	Width nut and lock
	0,306 kg	Weight

**Main Dimensions & Performance Data**

d <sub>1</sub>	40 mm	bore diameter
G	M45x1,5	Thread
B <sub>1</sub>	50 mm	sleeve length

**Additional information**

	KM9	Locknut
	MB9	Fuse
	1:12	Taper

