



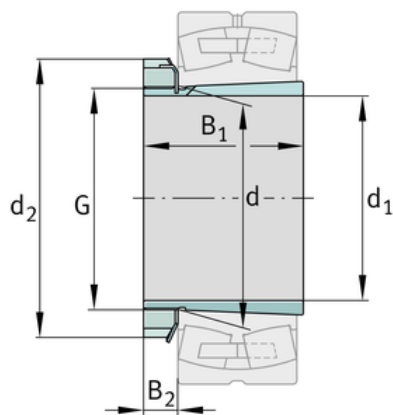
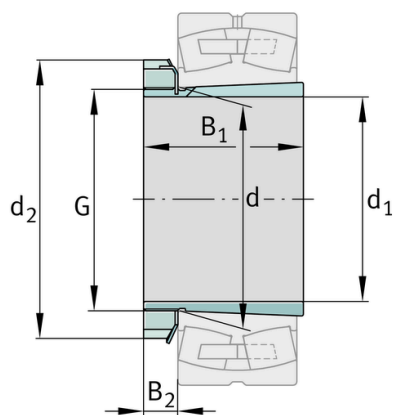
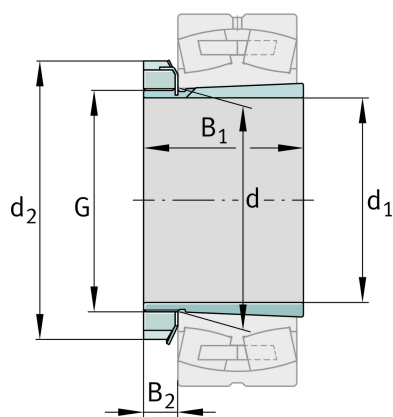
FAG

H216

Adapter sleeve

Schaeffler ID:
0167306400000Adapter sleeve H, accessory rolling
bearing, complete, mechanical, FP

Technical information

**Dimensions**

d	80 mm	Bore diameter bearing
d ₂	105 mm	Outside diameter nut
B ₂	16,75 mm	Width nut and lock
	0,91 kg	Weight

Main Dimensions & Performance Data

d ₁	70 mm	bore diameter
G	M80x2	Thread
B ₁	46 mm	sleeve length

Additional information

	KM16	Locknut
	MB16	Fuse
	1:12	Taper

