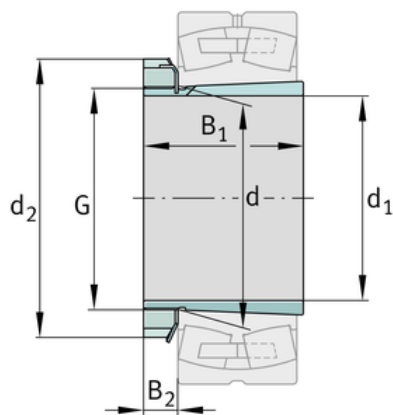
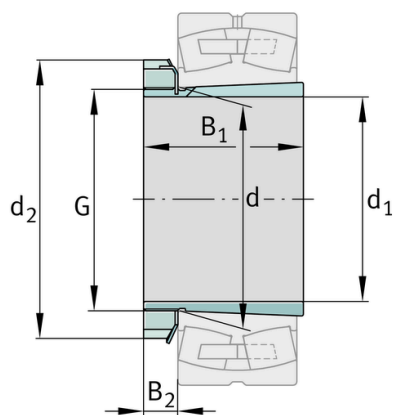
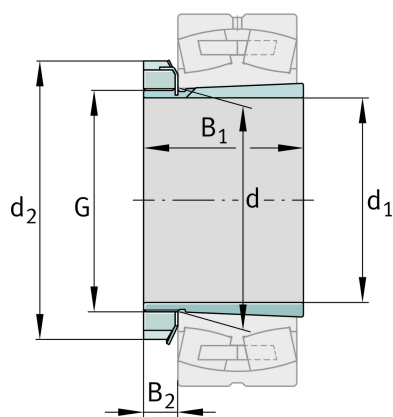


**FAG****H210**

Adapter sleeve

Schaeffler ID:
0167305850000Adapter sleeve H, accessory rolling
bearing, complete, mechanical, FP

Technical information

**Dimensions**

d	50 mm	Bore diameter bearing
d ₂	70 mm	Outside diameter nut
B ₂	12,25 mm	Width nut and lock
	0,264 kg	Weight

Main Dimensions & Performance Data

d ₁	45 mm	bore diameter
G	M50x1,5	Thread
B ₁	35 mm	sleeve length

Additional information

	KM10	Locknut
	MB10	Fuse
	1:12	Taper

