



## GLCTE25-XL

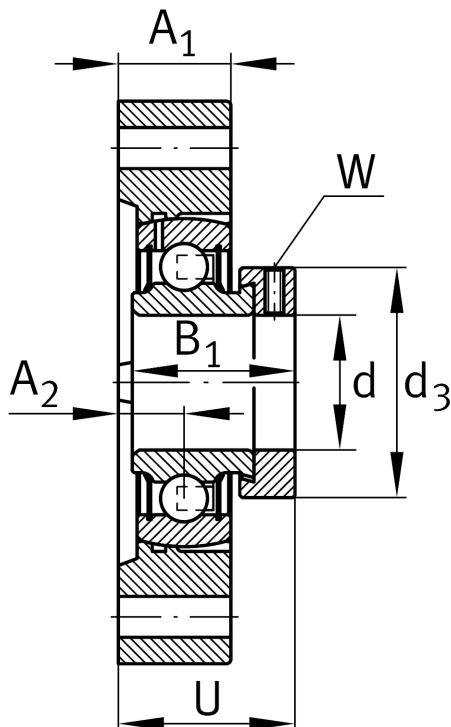
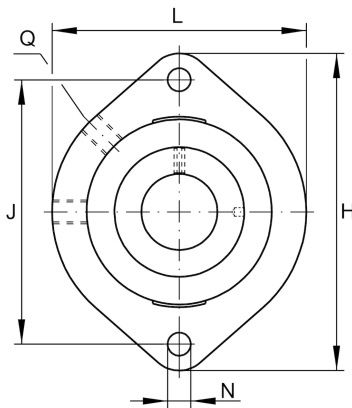
### Flanged housing unit

Schaeffler ID:  
0008313520000

Housing units GLCTE, two-bolt flanged housing units, cast iron, eccentric locking collar, P seals

X-life

## Technical information



### Dimensions

$A_1$	19,5 mm	Thickness of flange
$A_2$	9,9 mm	Distance raceway
$B_1$	31 mm	Locking collar total width
Q	M6	Connection thread lubrication
$d_3$	37,5 mm	Outside diameter eccentric locking collar
	0,47 kg	Weight

### Main Dimensions & Performance Data

d	25 mm	Bore diameter
L	71 mm	Flange width
H	97 mm	Height flange
U	33,4 mm	Total height unit
$C_r$	14.000 N	Basic dynamic load rating, radial
$C_{or}$	7.800 N	Basic static load rating, radial
$C_{ur}$	410 N	Fatigue load limit, radial

### Mounting dimensions

J	76,2 mm	Distance fixing bore
N	9 mm	Fixing bore
n	2	Number of screwing holes

### Additional information

1	Number of housings
GLCTE05	Housing
GRAE25-NPP-B-OSE	Bearing designation