



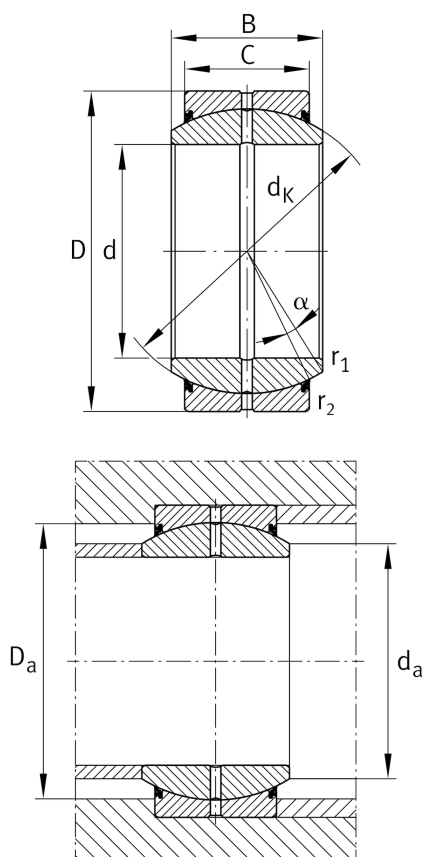
GE40-DO-2RS

Spherical plain bearing

Schaeffler ID:
0066481500000

Radial spherical plain bearing, requiring maintenance, sliding contact surface: steel/steel, DIN ISO 12240-1, dimension series E, sealed

Technical information



Dimensions

C	22 mm	Width Outer ring
d_K	53 mm	Ball diameter
α	7 °	Tilt angle
$r_{1\text{min}}$	0,6 mm	Edge Spacing
$r_{2\text{min}}$	1 mm	Edge Spacing
d_{OT}	0 mm	Bore diameter bearing, upper tolerance
d_{UT}	-0,012 mm	Bore diameter bearing, lower tolerance
D_{OT}	0 mm	Outside diameter, upper tolerance
D_{UT}	-0,013 mm	Outside diameter, lower tolerance
B_{OT}	0 mm	Width inner ring, upper tolerance
G_r	0,06 - 0,12 mm	Radial Clearance
B_{UT}	-0,12 mm	Width inner ring, lower tolerance
C_{OT}	0 mm	Width outer ring, upper tolerance
	0,297 kg	Weight

Main Dimensions & Performance Data

d	40 mm	Bore diameter bearing
D	62 mm	Outside diameter bearing
B	28 mm	Width Inner ring
C_r	99.100 N	Basic dynamic load rating, radial
C_{0r}	496.000 N	Basic static load rating, radial

Mounting dimensions

$d_{a\text{max}}$	45 mm	Connection measure Inner ring
$D_{a\text{min}}$	51 mm	Housing Connection Diameter

Temperature range

T_{min}	-30 °C	Operating temperature min.
T_{max}	130 °C	Operating temperature max.