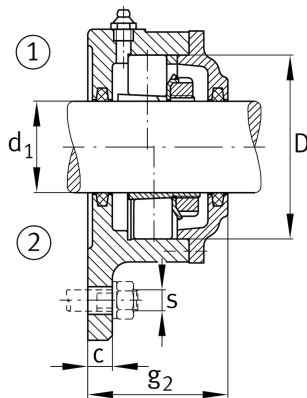
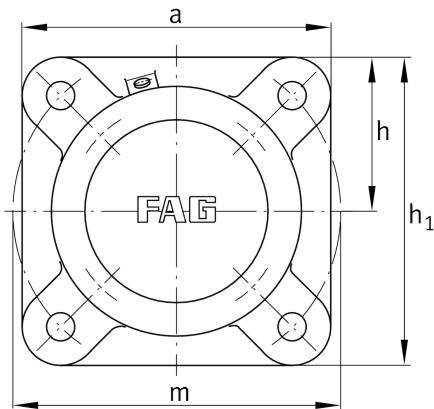


**FAG****F518-B-L**

Flanged housing

Schaeffler ID:
0383830710000Flanged housing for various bearing types,
with conical bore and clamping sleeve,
continuous shaft

Technical information

**Dimensions**

	M10x1	connection thread lubrication
c	25 mm	thickness of flange
D	160 mm	outside diameter bearing
g ₄	29 mm	distance flange to bearing seat
h	105 mm	distance shaft axis
m	240 mm	pitch circle diameter fixing holes
s	M16	size of fixing screws
	11,975 kg	Weight

Main Dimensions & Performance Data

d ₁	80 mm	Shaft diameter
a	210 mm	Flange width
h ₁	210 mm	height flange
g ₂	118 mm	total width with cover
	4	number of fastening holes