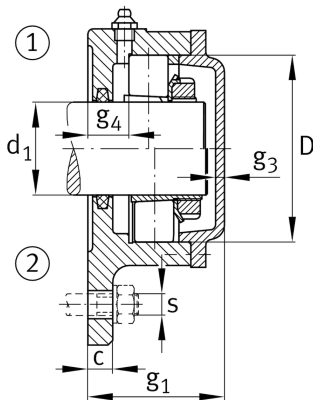
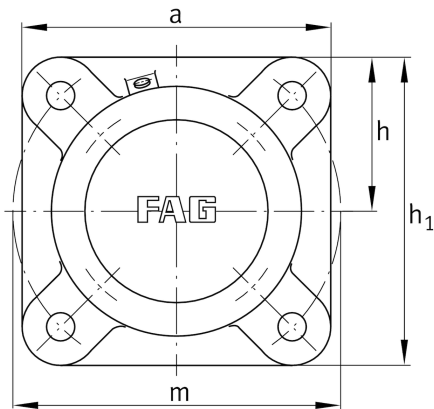


**FAG****F518-A-L**

Flanged housing

Schaeffler ID:  
0191673770000Flanged housing for various bearing types,  
with conical bore and clamping sleeve,  
closed on one side

## Technical information

**Dimensions**

	M10x1	connection thread lubrication
c	25 mm	thickness of flange
D	160 mm	outside diameter bearing
g <sub>4</sub>	29 mm	distance flange to bearing seat
h	105 mm	distance shaft axis
m	240 mm	pitch circle diameter fixing holes
s	M16	size of fixing screws
	12,5 kg	Weight

**Main Dimensions & Performance Data**

d <sub>1</sub>	80 mm	Shaft diameter
a	210 mm	Flange width
h <sub>1</sub>	210 mm	height flange
g <sub>2</sub>	110 mm	total width with cover
	4	number of fastening holes