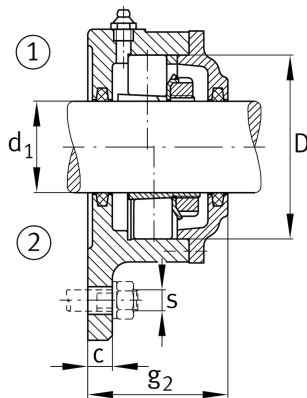
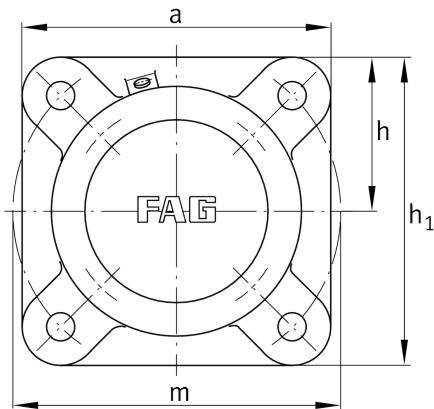


**FAG****F515-B-L**

Flanged housing

Schaeffler ID:  
0383830550000Flanged housing for various bearing types,  
with conical bore and clamping sleeve,  
continuous shaft

## Technical information

**Dimensions**

|                |        |                                    |
|----------------|--------|------------------------------------|
|                | M10x1  | connection thread lubrication      |
| c              | 25 mm  | thickness of flange                |
| D              | 130 mm | outside diameter bearing           |
| g <sub>4</sub> | 30 mm  | distance flange to bearing seat    |
| h              | 95 mm  | distance shaft axis                |
| m              | 215 mm | pitch circle diameter fixing holes |
| s              | M16    | size of fixing screws              |
|                | 9,5 kg | Weight                             |

**Main Dimensions & Performance Data**

|                |        |                           |
|----------------|--------|---------------------------|
| d <sub>1</sub> | 65 mm  | Shaft diameter            |
| a              | 190 mm | Flange width              |
| h <sub>1</sub> | 190 mm | height flange             |
| g <sub>2</sub> | 104 mm | total width with cover    |
|                | 4      | number of fastening holes |