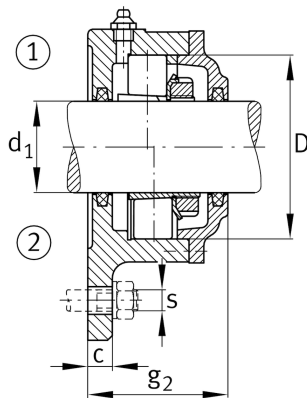
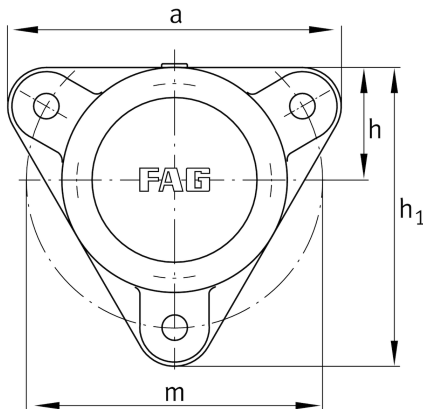


**FAG****F511-B-L**

Flanged housing

Schaeffler ID:  
0384387390000Flanged housing for various bearing types,  
with conical bore and clamping sleeve,  
continuous shaft

## Technical information

**Dimensions**

	M10x1	connection thread lubrication
c	16 mm	thickness of flange
D	100 mm	outside diameter bearing
g <sub>4</sub>	23 mm	distance flange to bearing seat
h	65 mm	distance shaft axis
m	170 mm	pitch circle diameter fixing holes
s	M12	size of fixing screws
	4,2 kg	Weight

**Main Dimensions & Performance Data**

d <sub>1</sub>	50 mm	Shaft diameter
a	190 mm	Flange width
h <sub>1</sub>	170 mm	height flange
g <sub>2</sub>	76 mm	total width with cover
	3	number of fastening holes