

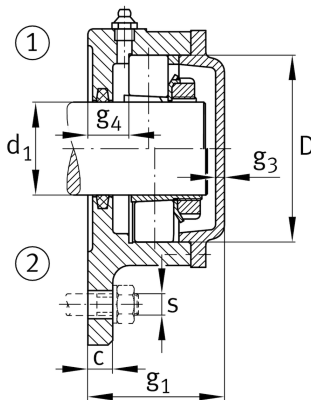
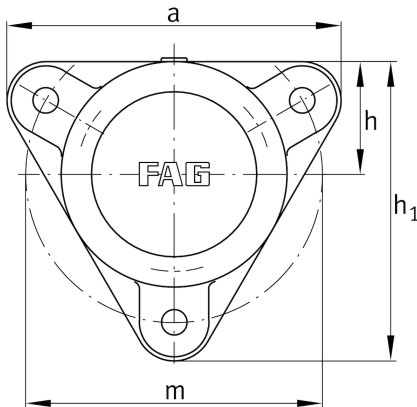
**FAG****F506-WA-L**

Flanged housing

Schaeffler ID:
0383829110000

Flanged housing for various bearing types, wide version with conical bore and clamping sleeve, closed on one side

Technical information

**Dimensions**

	M10x1	connection thread lubrication
c	12 mm	thickness of flange
D	62 mm	outside diameter bearing
g ₄	16 mm	distance flange to bearing seat
h	44 mm	distance shaft axis
m	116 mm	pitch circle diameter fixing holes
s	M10	size of fixing screws
	1,537 kg	Weight

Main Dimensions & Performance Data

d ₁	25 mm	Shaft diameter
a	130 mm	Flange width
h ₁	117 mm	height flange
g ₂	55 mm	total width with cover
	3	number of fastening holes