



Technical data

USPE207

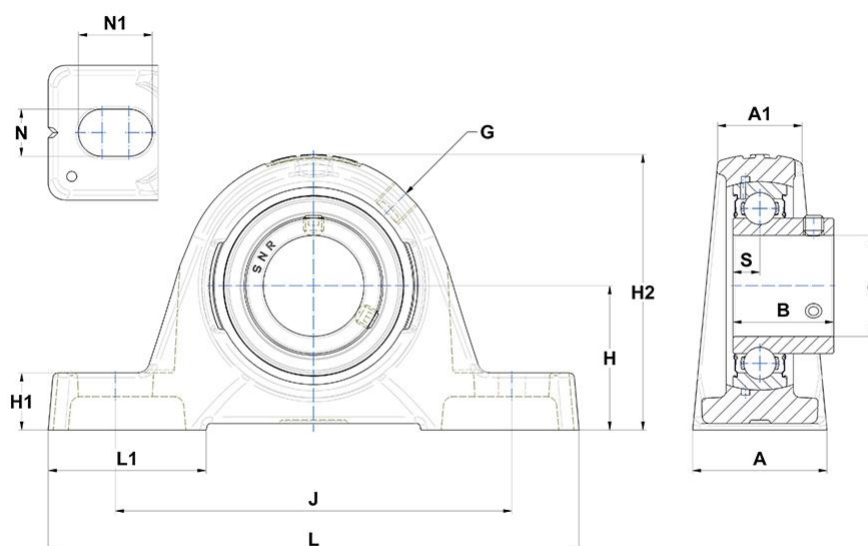
Bearing units

Grey cast housing, radial insert ball bearing with socket set screws, single lip seal

KIT CONTENT

US207G2, PE207

VISUAL (S)



PRODUCT DIMENSIONS

| | |
|---|---------|
| Housing width (A) | 45 mm |
| Housing top width (A1) | 27 mm |
| Width of IR (B) | 32 mm |
| Shaft dia (d) | 35 mm |
| Grease fitting (G) | R1/8" |
| Distance mounting base to centerline spheric. seating diam. (H) | 47,6 mm |

PRODUCT DIMENSIONS

| | |
|--|--------|
| Housing foot height (H1) | 19 mm |
| Housing height (H2) | 93 mm |
| Mounting hole distance (J) | 126 mm |
| Housing length (L) | 163 mm |
| Housing foot length (L1) | 49 mm |
| Mounting hole dimension (N) | 14 mm |
| Mounting hole length (N1) | 21 mm |
| Dist. cent. of raceway to face IR on side opp. lock. device (S) | 8,5 mm |
| Brand | SNR |

OTHER FEATURES

| | |
|---|---------|
| Mass | 1,52 kg |
| Recommended tightening torque for set screw [Nm] | 5.5 N-m |

PRODUCT PERFORMANCE

| | |
|-----------------------------------|---------|
| Dynamic load rating (C) | 25,7 kN |
| Static load rating (C0) | 15,2 kN |
| Operating temperature min. | -20 °C |
| Operating temperature max. | 100 °C |