



## Technical data

### UKP213H

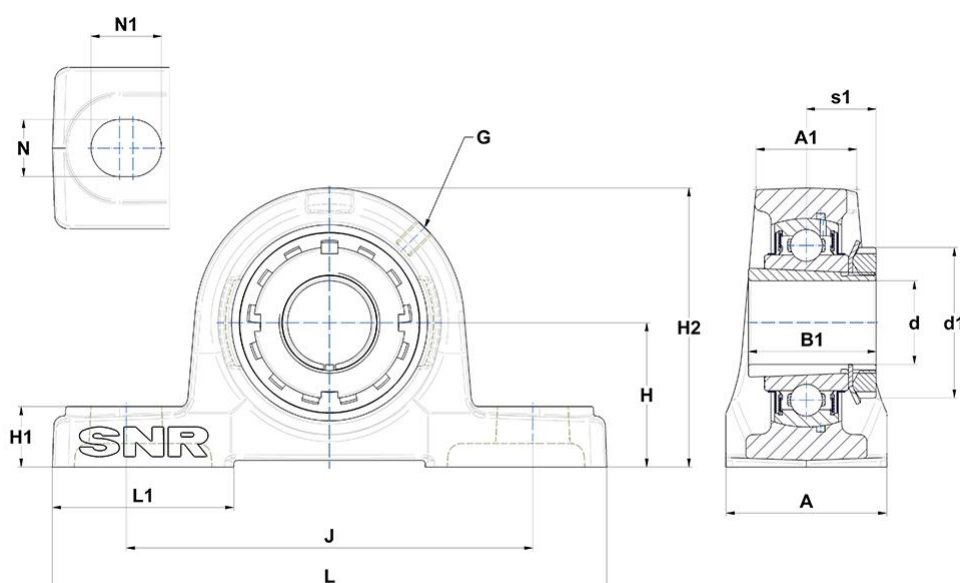
Bearing units

Grey cast housing, radial insert ball bearing with adapter sleeve, seal with slinger

## KIT CONTENT

UK213G2H, P213

## VISUAL (S)



## OTHER FEATURES

<b>Mass</b>	6,12 kg
<b>Adapter sleeve reference</b>	H2313

## PRODUCT DIMENSIONS

<b>Housing width (A)</b>	70 mm
<b>Housing top width (A1)</b>	46 mm
<b>Width of IR (B)</b>	36 mm

**PRODUCT DIMENSIONS**

<b>Shaft dia (d)</b>	60 mm
<b>Outer dia of eccent. Lock. collar / nut of adapter sleeve (d1)</b>	85 mm
<b>Grease fitting (G)</b>	M6x1
<b>Distance mounting base to centerline spheric. seating diam. (H)</b>	76,2 mm
<b>Housing foot height (H1)</b>	27 mm
<b>Housing height (H2)</b>	150 mm
<b>Mounting hole distance (J)</b>	203 mm
<b>Housing length (L)</b>	265 mm
<b>Housing foot length (L1)</b>	77 mm
<b>Mounting hole dimension (N)</b>	25 mm
<b>Mounting hole length (N1)</b>	29 mm
<b>Distance nut - middle of bearing raceway (s1)</b>	32 mm
<b>Brand</b>	SNR

**PRODUCT PERFORMANCE**

<b>Dynamic load rating (C)</b>	57,2 kN
<b>Static load rating (C0)</b>	40 kN
<b>Operating temperature min.</b>	-20 °C
<b>Operating temperature max.</b>	100 °C