



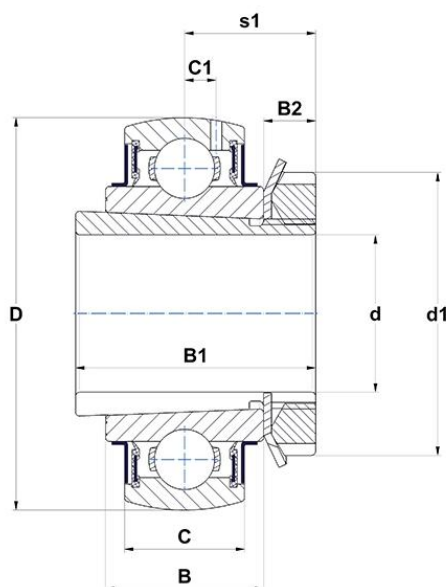
## Technical data

### UK309G2H

Insert bearings

Spherical outer diameter, fixing by adapter sleeve, seal with slinger

#### VISUAL (S)



#### PRODUCT DIMENSIONS

<b>Brand</b>	SNR
<b>Width of IR (B)</b>	38 mm
<b>Overall width IR incl. eccent. locking collar/adapt. sleeve</b>	50 mm
<b>Width of eccent. Lock. collar/nut+washer of adapter</b>	11 mm
<b>Width of OR (C)</b>	30 mm
<b>Distance from center of OR to center of lubrication zone</b>	9 mm
<b>Shaft dia (d)</b>	40 mm
<b>Outer dia of eccent. Lock. collar / nut of adapter sleeve</b>	65 mm
<b>Outer dia of OR (D)</b>	100 mm

#### PRODUCT PERFORMANCE

<b>Dynamic load rating (C)</b>	53 kN
--------------------------------	-------

**PRODUCT PERFORMANCE**

<b>Static load rating (C0)</b>	31,8 kN
<b>Operating temperature min.</b>	-20 °C
<b>Operating temperature max.</b>	100 °C

**OTHER FEATURES**

<b>Mass</b>	1,47 kg
-------------	---------