



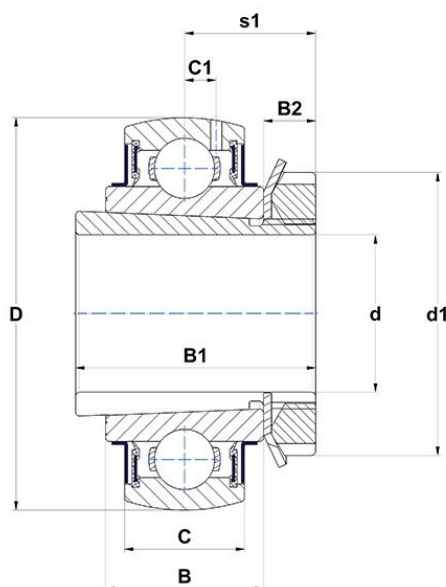
Technical data

UK208G2H

Insert bearings

Spherical outer diameter, fixing by adapter sleeve, seal with slinger

VISUAL (S)



PRODUCT PERFORMANCE

Dynamic load rating (C)	29,6 kN
Static load rating (C0)	18,2 kN
Operating temperature min.	-20 °C
Operating temperature max.	100 °C

OTHER FEATURES

Mass	0,7 kg
------	--------

PRODUCT DIMENSIONS

Width of IR (B)	29 mm
Overall width IR incl. eccent. locking collar/adapt. sleeve	46 mm
Width of eccent. Lock. collar/nut+washer of adapter	10 mm

PRODUCT DIMENSIONS

Width of OR (C)	21 mm
Distance from center of OR to center of lubrication zone	6,3 mm
Shaft dia (d)	35 mm
Outer dia of eccent. Lock. collar / nut of adapter sleeve	58 mm
Outer dia of OR (D)	80 mm
Brand	SNR