



Technical data

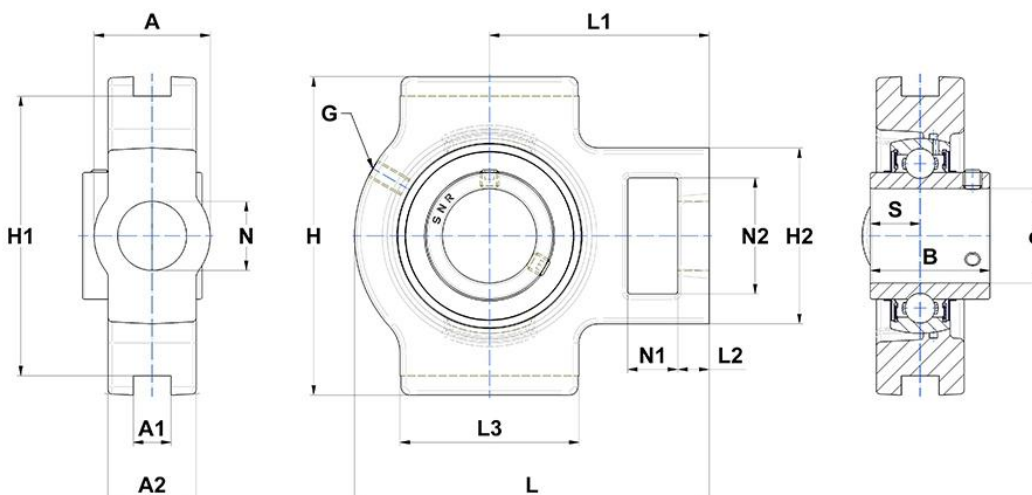
UCT211
Bearing units

Grey cast housing, radial insert ball bearing with socket set screws, seal with slinger

KIT CONTENT

UC211G2, T211

VISUAL (S)



PRODUCT DIMENSIONS

Housing width (A)	64 mm
Width of location slot (A1)	22 mm
Width over loc. slot flange(T/ST)/width at mount. hole(EHE)(A2)	38 mm
Total height - frame + insert (A5)	33,4 mm
Width of IR (B)	55,6 mm
Shaft dia (d)	55 mm

PRODUCT DIMENSIONS

Grease fitting (G)	M6x1
Housing length, width or diameter (H)	146 mm
Distance between bottoms of location slots (H1)	130 mm
Housing height / width (H2)	102 mm
Housing length (L)	171 mm
Distance from attachment end face to bearing centerline (L1)	106 mm
Thickness of attachment end (L2)	19 mm
Length of location slot (T/ST)/ guidance length (EHE) (L3)	95 mm
Mounting hole dimension (N)	35 mm
Length of attachment slot (N1)	25 mm
Height of attachment slot (N2)	64 mm
Dist. cent. of raceway to face IR on side opp. lock. device (S)	22,2 mm
Wrench size (SW)	5 mm
Brand	SNR

PRODUCT PERFORMANCE

Dynamic load rating (C)	43,55 kN
Static load rating (C0)	29,2 kN
Operating temperature min.	-20 °C
Operating temperature max.	100 °C

OTHER FEATURES

Mass	3,92 kg
Recommended tightening torque for set screw [Nm]	22.0 N-m