



Technical data

UCT206

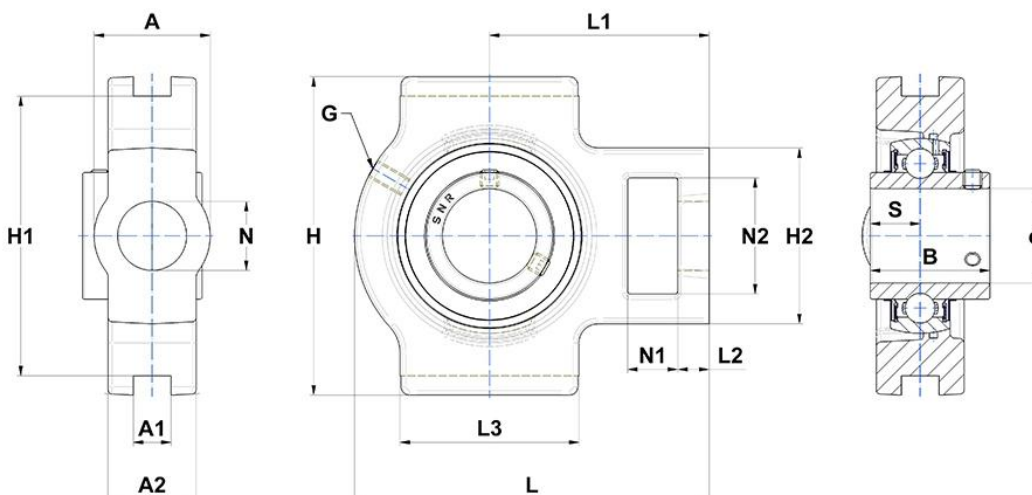
Bearing units

Grey cast housing, radial insert ball bearing with socket set screws, seal with slinger

KIT CONTENT

UC206G2, T206

VISUAL (S)



PRODUCT DIMENSIONS

| | |
|---|---------|
| Housing width (A) | 37 mm |
| Width of location slot (A1) | 12 mm |
| Width over loc. slot flange(T/ST)/width at mount. hole(EHE)(A2) | 28 mm |
| Total height - frame + insert (A5) | 22,2 mm |
| Width of IR (B) | 38,1 mm |
| Shaft dia (d) | 30 mm |

PRODUCT DIMENSIONS

| | |
|--|---------|
| Grease fitting (G) | M6x1 |
| Housing length, width or diameter (H) | 102 mm |
| Distance between bottoms of location slots (H1) | 89 mm |
| Housing height / width (H2) | 56 mm |
| Housing length (L) | 113 mm |
| Distance from attachment end face to bearing centerline (L1) | 70 mm |
| Thickness of attachment end (L2) | 10 mm |
| Length of location slot (T/ST)/ guidance length (EHE) (L3) | 57 mm |
| Mounting hole dimension (N) | 22 mm |
| Length of attachment slot (N1) | 16 mm |
| Height of attachment slot (N2) | 37 mm |
| Dist. cent. of raceway to face IR on side opp. lock. device (S) | 15,9 mm |
| Wrench size (SW) | 3 mm |
| Brand | SNR |

PRODUCT PERFORMANCE

| | |
|-----------------------------------|---------|
| Dynamic load rating (C) | 19,5 kN |
| Static load rating (C0) | 11,2 kN |
| Operating temperature min. | -20 °C |
| Operating temperature max. | 100 °C |

OTHER FEATURES

| | |
|---|---------|
| Mass | 0,9 kg |
| Recommended tightening torque for set screw [Nm] | 5.5 N-m |