



Technical data

UCPE208T20

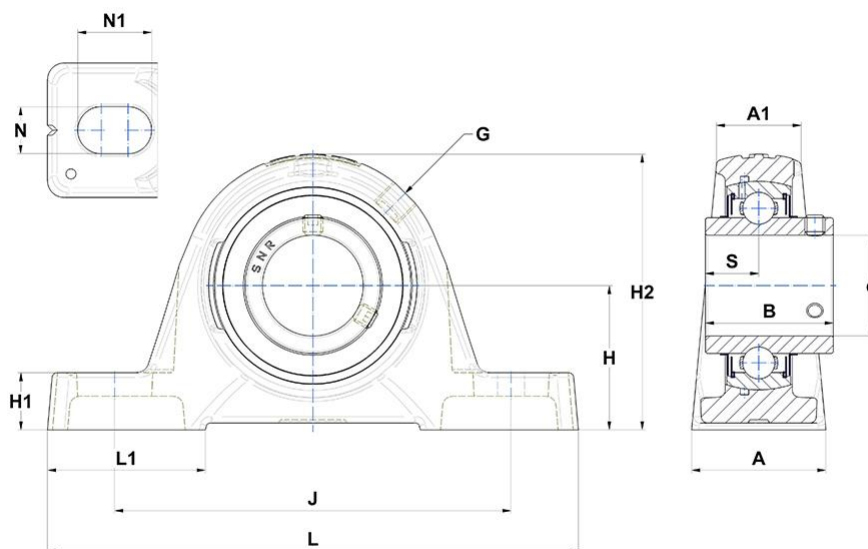
Bearing units

Grey cast housing, radial insert ball bearing with socket set screws, labyrinth seal, for high-temp. applications

KIT CONTENT

UC208G2T20, PE208

VISUAL (S)



PRODUCT DIMENSIONS

Housing width (A)	48 mm
Housing top width (A1)	30 mm
Width of IR (B)	49,2 mm
Shaft dia (d)	40 mm
Grease fitting (G)	R1/8"

PRODUCT DIMENSIONS

Distance mounting base to centerline spheric. seating diam. (H)	49,2 mm
Housing foot height (H1)	19 mm
Housing height (H2)	99 mm
Mounting hole distance (J)	138 mm
Housing length (L)	179 mm
Housing foot length (L1)	53 mm
Mounting hole dimension (N)	14 mm
Mounting hole length (N1)	26 mm
Dist. cent. of raceway to face IR on side opp. lock. device (S)	19 mm
Brand	SNR

OTHER FEATURES

Mass	1,84 kg
Recommended tightening torque for set screw [Nm]	11.5 N-m

PRODUCT PERFORMANCE

Dynamic load rating (C)	29,6 kN
Static load rating (C0)	18,2 kN
Operating temperature min.	-20 °C
Operating temperature max.	200 °C