



Technical data

UCP308

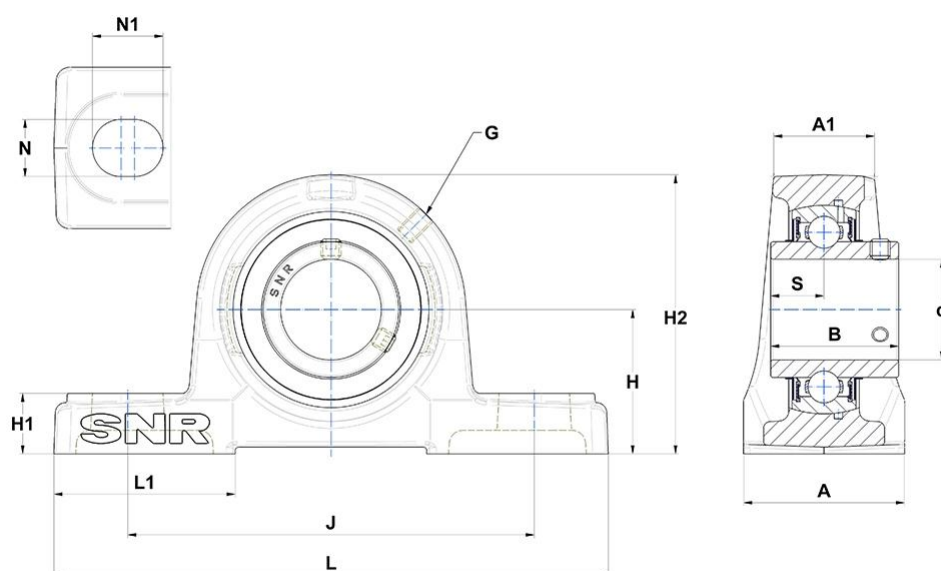
Bearing units

Grey cast housing, radial insert ball bearing with socket set screws, seal with slinger

KIT CONTENT

UC308G2, P308

VISUAL (S)



PRODUCT DIMENSIONS

Housing width (A)	60 mm
Housing top width (A1)	42 mm
Width of IR (B)	52 mm
Shaft dia (d)	40 mm
Grease fitting (G)	M6x1
Distance mounting base to centerline spheric. seating diam. (H)	60 mm

PRODUCT DIMENSIONS

Housing foot height (H1)	22 mm
Housing height (H2)	116 mm
Mounting hole distance (J)	170 mm
Housing length (L)	220 mm
Housing foot length (L1)	60 mm
Mounting hole dimension (N)	17 mm
Mounting hole length (N1)	27 mm
Dist. cent. of raceway to face IR on side opp. lock. device (S)	19 mm
Brand	SNR

OTHER FEATURES

Mass	3,36 kg
Recommended tightening torque for set screw [Nm]	22.0 N-m

PRODUCT PERFORMANCE

Dynamic load rating (C)	40,56 kN
Static load rating (C0)	24 kN
Operating temperature min.	-20 °C
Operating temperature max.	100 °C