



Technical data

UCP215

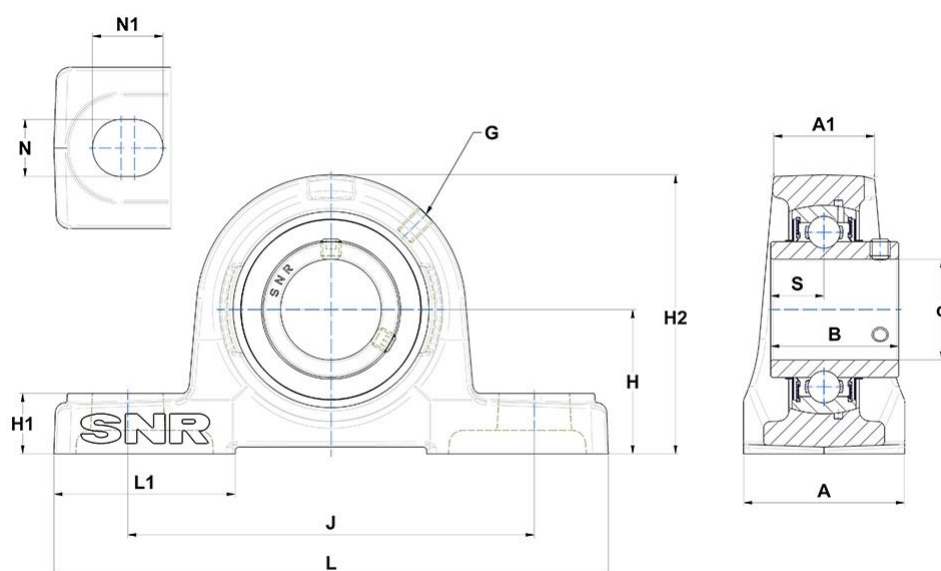
Bearing units

Grey cast housing, radial insert ball bearing with socket set screws, seal with slinger

KIT CONTENT

UC215G2, P215

VISUAL (S)



OTHER FEATURES

Mass	7,31 kg
Recommended tightening torque for set screw [Nm]	33.0 N-m

PRODUCT DIMENSIONS

Housing width (A)	74 mm
Housing top width (A1)	48 mm
Width of IR (B)	77,8 mm

PRODUCT DIMENSIONS

Shaft dia (d)	75 mm
Grease fitting (G)	M10x1
Distance mounting base to centerline spheric. seating diam. (H)	82,6 mm
Housing foot height (H1)	28 mm
Housing height (H2)	163 mm
Mounting hole distance (J)	217 mm
Housing length (L)	275 mm
Housing foot length (L1)	85 mm
Mounting hole dimension (N)	25 mm
Mounting hole length (N1)	31 mm
Dist. cent. of raceway to face IR on side opp. lock. device (S)	33,3 mm
Brand	SNR

PRODUCT PERFORMANCE

Dynamic load rating (C)	66 kN
Static load rating (C0)	49,5 kN
Operating temperature min.	-20 °C
Operating temperature max.	100 °C