



## Technical data

### UCP214T20

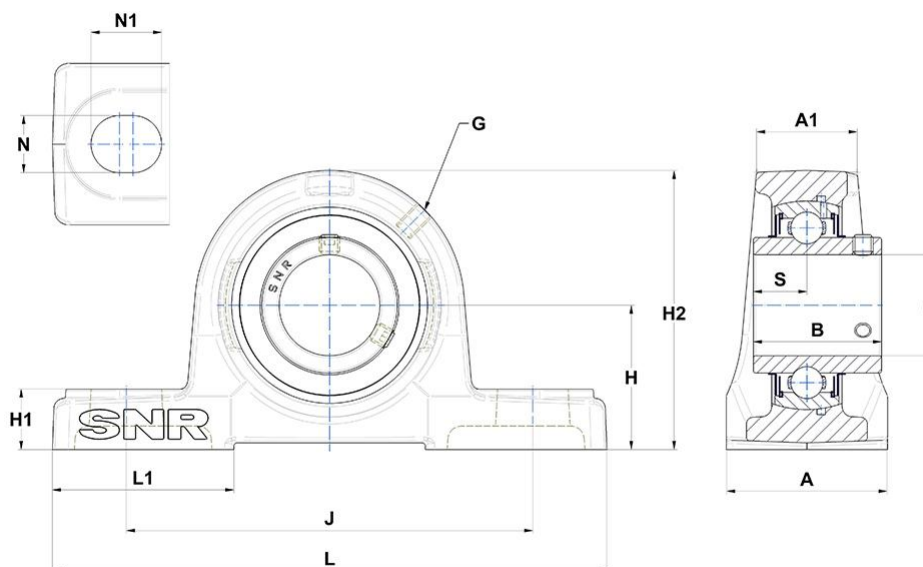
Bearing units

Grey cast housing, radial insert ball bearing with socket set screws, labyrinth seal, for high-temp. applications

## KIT CONTENT

UC214G2T20, P214

## VISUAL (S)



## OTHER FEATURES

<b>Mass</b>	6,65 kg
<b>Recommended tightening torque for set screw [Nm]</b>	33.0 N-m

## PRODUCT DIMENSIONS

<b>Housing width (A)</b>	72 mm
<b>Housing top width (A1)</b>	48 mm

## PRODUCT DIMENSIONS

<b>Width of IR (B)</b>	74,6 mm
<b>Shaft dia (d)</b>	70 mm
<b>Grease fitting (G)</b>	M10x1
<b>Distance mounting base to centerline spheric. seating diam. (H)</b>	79,4 mm
<b>Housing foot height (H1)</b>	27 mm
<b>Housing height (H2)</b>	156 mm
<b>Mounting hole distance (J)</b>	210 mm
<b>Housing length (L)</b>	266 mm
<b>Housing foot length (L1)</b>	83 mm
<b>Mounting hole dimension (N)</b>	25 mm
<b>Mounting hole length (N1)</b>	31 mm
<b>Dist. cent. of raceway to face IR on side opp. lock. device (S)</b>	30,2 mm
<b>Brand</b>	SNR

## PRODUCT PERFORMANCE

<b>Dynamic load rating (C)</b>	62 kN
<b>Static load rating (C0)</b>	45 kN
<b>Operating temperature min.</b>	-20 °C
<b>Operating temperature max.</b>	200 °C