



Technical data

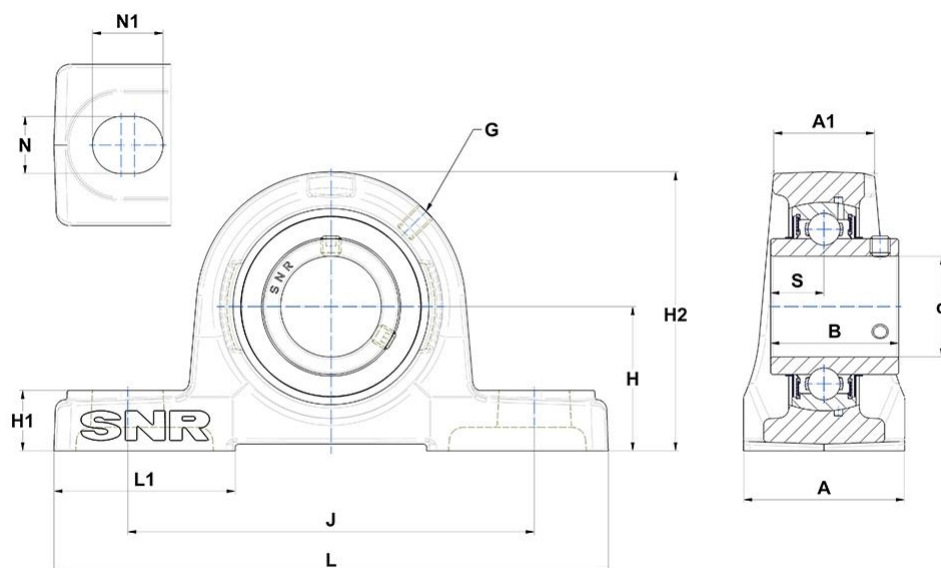
UCP212
Bearing units

Grey cast housing, radial insert ball bearing with socket set screws, seal with slinger

KIT CONTENT

UC212G2, P212

VISUAL (S)



OTHER FEATURES

| | |
|---|----------|
| Mass | 5,03 kg |
| Recommended tightening torque for set screw [Nm] | 22.0 N-m |

PRODUCT DIMENSIONS

| | |
|-------------------------------|---------|
| Housing width (A) | 70 mm |
| Housing top width (A1) | 44 mm |
| Width of IR (B) | 65,1 mm |

PRODUCT DIMENSIONS

| | |
|--|---------|
| Shaft dia (d) | 60 mm |
| Grease fitting (G) | M6x1 |
| Distance mounting base to centerline spheric. seating diam. (H) | 69,8 mm |
| Housing foot height (H1) | 25 mm |
| Housing height (H2) | 138 mm |
| Mounting hole distance (J) | 184 mm |
| Housing length (L) | 241 mm |
| Housing foot length (L1) | 70 mm |
| Mounting hole dimension (N) | 20 mm |
| Mounting hole length (N1) | 25 mm |
| Dist. cent. of raceway to face IR on side opp. lock. device (S) | 25,4 mm |
| Brand | SNR |

PRODUCT PERFORMANCE

| | |
|-----------------------------------|---------|
| Dynamic load rating (C) | 52,5 kN |
| Static load rating (C0) | 32,8 kN |
| Operating temperature min. | -20 °C |
| Operating temperature max. | 100 °C |