



## Technical data

### UCP209

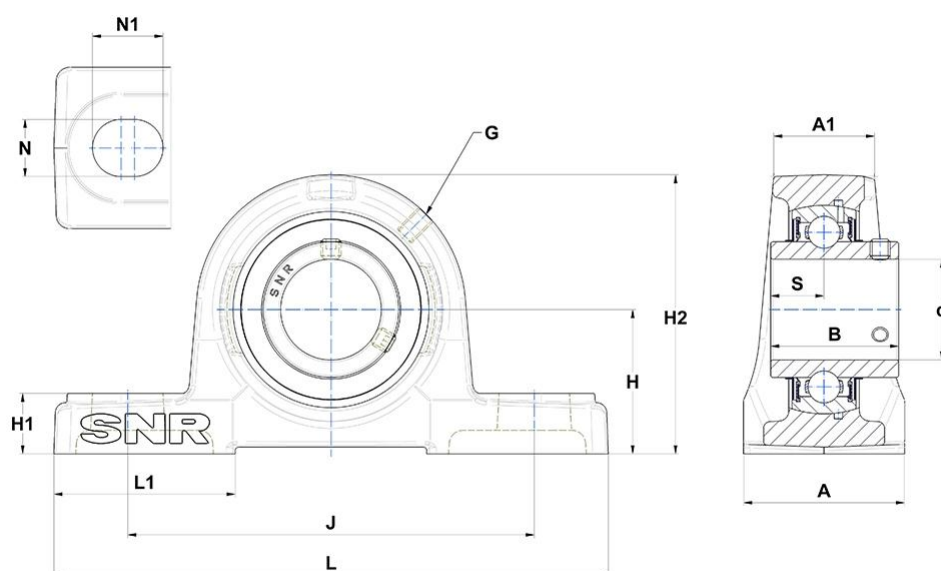
Bearing units

Grey cast housing, radial insert ball bearing with socket set screws, seal with slinger

#### KIT CONTENT

UC209G2, P209

#### VISUAL (S)



#### PRODUCT DIMENSIONS

<b>Housing width (A)</b>	54 mm
<b>Housing top width (A1)</b>	37 mm
<b>Width of IR (B)</b>	49,2 mm
<b>Shaft dia (d)</b>	45 mm
<b>Grease fitting (G)</b>	M6x1
<b>Distance mounting base to centerline spheric. seating diam. (H)</b>	54 mm

### PRODUCT DIMENSIONS

<b>Housing foot height (H1)</b>	20 mm
<b>Housing height (H2)</b>	108 mm
<b>Mounting hole distance (J)</b>	146 mm
<b>Housing length (L)</b>	190 mm
<b>Housing foot length (L1)</b>	60 mm
<b>Mounting hole dimension (N)</b>	17 mm
<b>Mounting hole length (N1)</b>	23 mm
<b>Dist. cent. of raceway to face IR on side opp. lock. device (S)</b>	19 mm
<b>Brand</b>	SNR

### OTHER FEATURES

<b>Mass</b>	2,38 kg
<b>Recommended tightening torque for set screw [Nm]</b>	11.5 N-m

### PRODUCT PERFORMANCE

<b>Dynamic load rating (C)</b>	31,85 kN
<b>Static load rating (C0)</b>	20,8 kN
<b>Operating temperature min.</b>	-20 °C
<b>Operating temperature max.</b>	100 °C