



Technical data

UCFL204

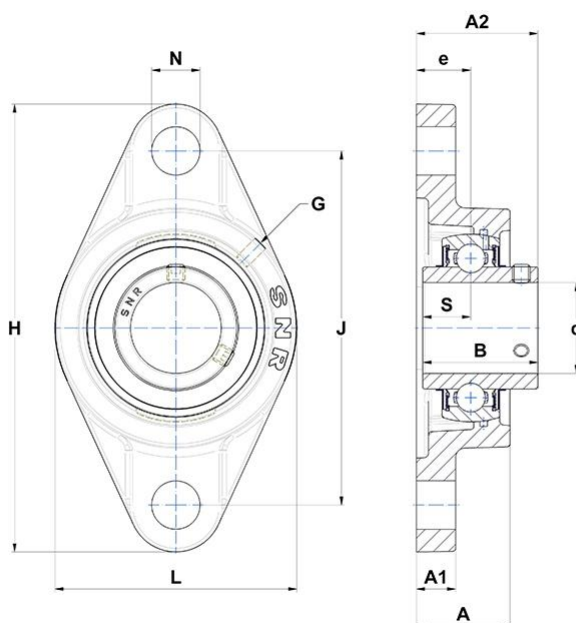
Bearing units

Grey cast housing, radial insert ball bearing with socket set screws, seal with slinger

KIT CONTENT

UC204G2, FL204

VISUAL (S)



PRODUCT DIMENSIONS

Housing height (A)	25,5 mm
Housing foot height / flange height (A1)	11 mm
Total height (Housing + Insert) from mounting surface (A2)	33,3 mm
Width of IR (B)	31 mm
Shaft dia (d)	20 mm
Distance mounting surface - bearing center (e)	15 mm

PRODUCT DIMENSIONS

Grease fitting (G)	M6x1
Housing length, width or diameter (H)	113 mm
Mounting hole distance (J)	90 mm
Housing width / dia (L)	60 mm
Mounting hole dimension (N)	12 mm
Dist. cent. of raceway to face IR on side opp. lock. device (S)	12,7 mm
Brand	SNR

OTHER FEATURES

Mass	0,43 kg
Recommended tightening torque for set screw [Nm]	5.5 N-m

PRODUCT PERFORMANCE

Dynamic load rating (C)	12,8 kN
Static load rating (C0)	6,65 kN
Operating temperature min.	-20 °C
Operating temperature max.	100 °C