



Technical data

UCFC216

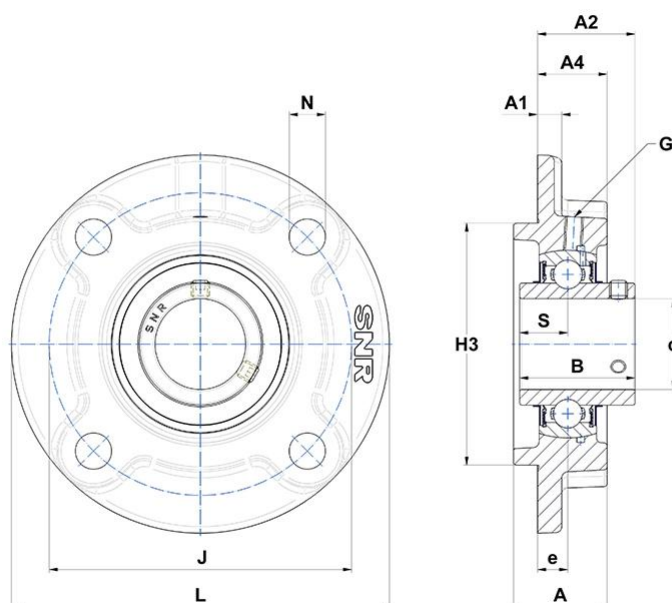
Bearing units

Grey cast housing, radial insert ball bearing with socket set screws, seal with slinger

KIT CONTENT

UC216G2, FC216

VISUAL (S)



PRODUCT DIMENSIONS

Housing height (A)	58 mm
Housing foot height / flange height (A1)	18 mm
Total height (Housing + Insert) from mouting surface (A2)	67,3 mm
Housing height from mounting surface (A4)	42 mm
Width of IR (B)	82,6 mm
Shaft dia (d)	80 mm

PRODUCT DIMENSIONS

Distance mounting surface - bearing center (e)	18 mm
Grease fitting (G)	M10x1
Centering dia (H3)	170 mm
Mounting hole distance (J)	200 mm
Housing width / dia (L)	240 mm
Mounting hole dimension (N)	23 mm
Dist. cent. of raceway to face IR on side opp. lock. device (S)	33,3 mm
Brand	SNR

OTHER FEATURES

Mass	8,94 kg
Recommended tightening torque for set screw [Nm]	33.0 N-m

PRODUCT PERFORMANCE

Dynamic load rating (C)	72,5 kN
Static load rating (C0)	54,2 kN
Operating temperature min.	-20 °C
Operating temperature max.	100 °C