



Technical data

UCFC212

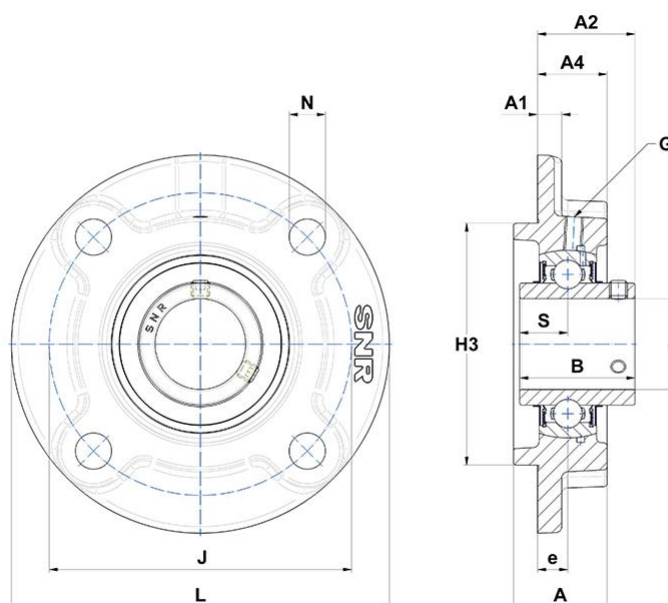
Bearing units

Grey cast housing, radial insert ball bearing with socket set screws, seal with slinger

KIT CONTENT

UC212G2, FC212

VISUAL (S)



OTHER FEATURES

| | |
|---|----------|
| Mass | 4,92 kg |
| Recommended tightening torque for set screw [Nm] | 22.0 N-m |

PRODUCT DIMENSIONS

| | |
|--|---------|
| Housing height (A) | 48 mm |
| Housing foot height / flange height (A1) | 15 mm |
| Total height (Housing + Insert) from mouting surface (A2) | 56,7 mm |

PRODUCT DIMENSIONS

| | |
|--|---------|
| Housing height from mounting surface (A4) | 36 mm |
| Width of IR (B) | 65,1 mm |
| Shaft dia (d) | 60 mm |
| Distance mounting surface - bearing center (e) | 17 mm |
| Grease fitting (G) | M6x1 |
| Centering dia (H3) | 135 mm |
| Mounting hole distance (J) | 160 mm |
| Housing width / dia (L) | 195 mm |
| Mounting hole dimension (N) | 19 mm |
| Dist. cent. of raceway to face IR on side opp. lock. device (S) | 25,4 mm |
| Brand | SNR |

PRODUCT PERFORMANCE

| | |
|-----------------------------------|---------|
| Dynamic load rating (C) | 52,5 kN |
| Static load rating (C0) | 32,8 kN |
| Operating temperature min. | -20 °C |
| Operating temperature max. | 100 °C |