



## Technical data

### UCFC210

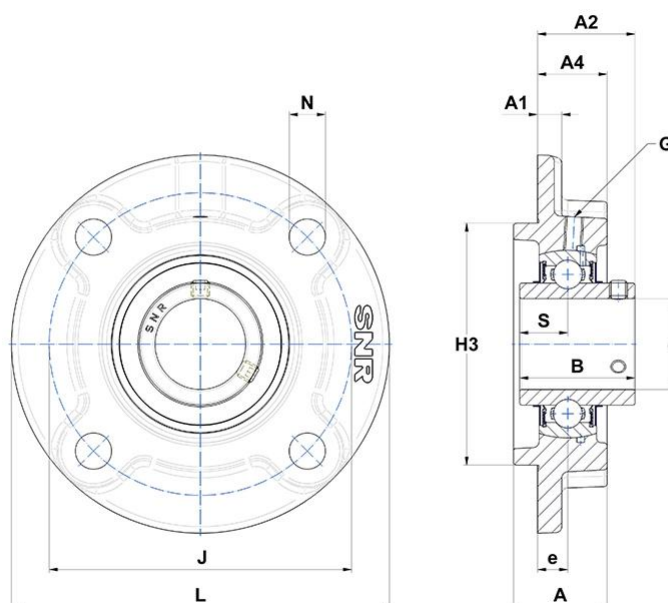
Bearing units

Grey cast housing, radial insert ball bearing with socket set screws, seal with slinger

## KIT CONTENT

UC210G2, FC210

## VISUAL (S)



## OTHER FEATURES

Mass	2,84 kg
Recommended tightening torque for set screw [Nm]	22.0 N-m

## PRODUCT DIMENSIONS

Housing height (A)	40 mm
Housing foot height / flange height (A1)	14 mm
Total height (Housing + Insert) from mouting surface (A2)	42,6 mm

**PRODUCT DIMENSIONS**

<b>Housing height from mounting surface (A4)</b>	28 mm
<b>Width of IR (B)</b>	51,6 mm
<b>Shaft dia (d)</b>	50 mm
<b>Distance mounting surface - bearing center (e)</b>	10 mm
<b>Grease fitting (G)</b>	M6x1
<b>Centering dia (H3)</b>	110 mm
<b>Mounting hole distance (J)</b>	138 mm
<b>Housing width / dia (L)</b>	165 mm
<b>Mounting hole dimension (N)</b>	16 mm
<b>Dist. cent. of raceway to face IR on side opp. lock. device (S)</b>	19 mm
<b>Brand</b>	SNR

**PRODUCT PERFORMANCE**

<b>Dynamic load rating (C)</b>	35,1 kN
<b>Static load rating (C0)</b>	23,2 kN
<b>Operating temperature min.</b>	-20 °C
<b>Operating temperature max.</b>	100 °C