



## Technical data

### UCFC207

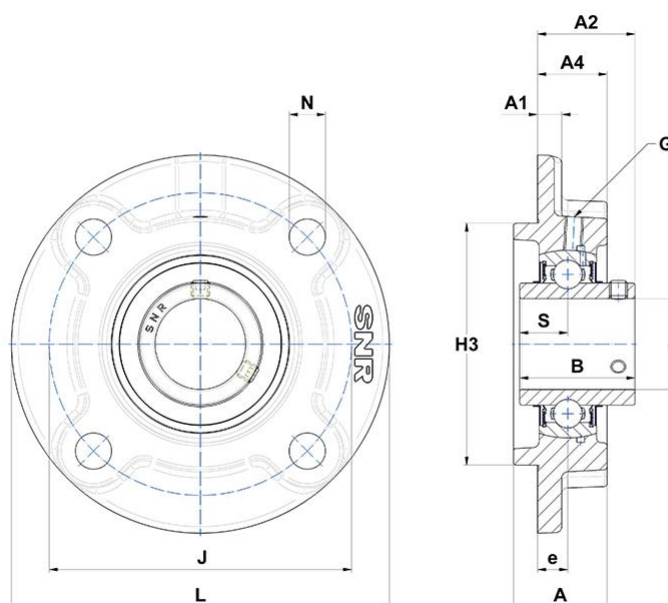
Bearing units

Grey cast housing, radial insert ball bearing with socket set screws, seal with slinger

## KIT CONTENT

UC207G2, FC207

## VISUAL (S)



## OTHER FEATURES

Mass	1,66 kg
Recommended tightening torque for set screw [Nm]	11.5 N-m

## PRODUCT DIMENSIONS

Housing height (A)	34 mm
Housing foot height / flange height (A1)	9 mm
Total height (Housing + Insert) from mounting surface (A2)	36,4 mm

### PRODUCT DIMENSIONS

<b>Housing height from mounting surface (A4)</b>	26 mm
<b>Width of IR (B)</b>	42,9 mm
<b>Shaft dia (d)</b>	35 mm
<b>Distance mounting surface - bearing center (e)</b>	11 mm
<b>Grease fitting (G)</b>	M6x1
<b>Centering dia (H3)</b>	90 mm
<b>Mounting hole distance (J)</b>	110 mm
<b>Housing width / dia (L)</b>	135 mm
<b>Mounting hole dimension (N)</b>	14 mm
<b>Dist. cent. of raceway to face IR on side opp. lock. device (S)</b>	17,5 mm
<b>Brand</b>	SNR

### PRODUCT PERFORMANCE

<b>Dynamic load rating (C)</b>	25,7 kN
<b>Static load rating (C0)</b>	15,2 kN
<b>Operating temperature min.</b>	-20 °C
<b>Operating temperature max.</b>	100 °C