



## Technical data

### UCFC206

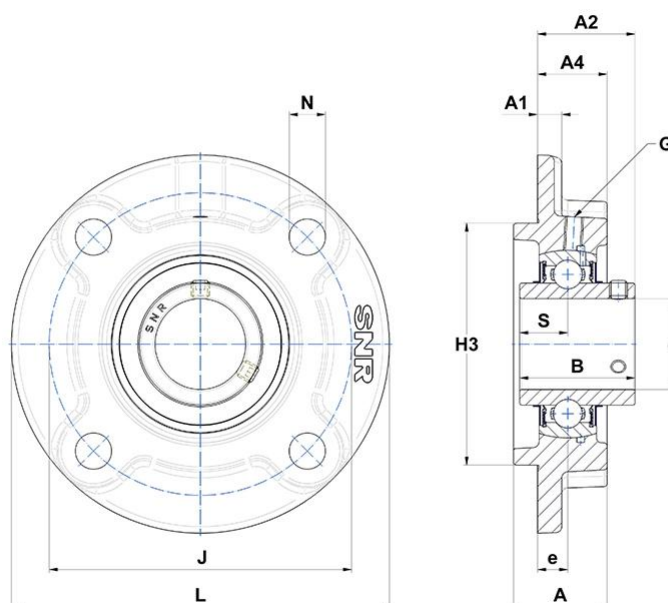
Bearing units

Grey cast housing, radial insert ball bearing with socket set screws, seal with slinger

## KIT CONTENT

UC206G2, FC206

## VISUAL (S)



## OTHER FEATURES

Mass	0,96 kg
Recommended tightening torque for set screw [Nm]	5.5 N-m

## PRODUCT DIMENSIONS

Housing height (A)	31 mm
Housing foot height / flange height (A1)	8 mm
Total height (Housing + Insert) from mouting surface (A2)	32,2 mm

### PRODUCT DIMENSIONS

<b>Housing height from mounting surface (A4)</b>	23 mm
<b>Width of IR (B)</b>	38,1 mm
<b>Shaft dia (d)</b>	30 mm
<b>Distance mounting surface - bearing center (e)</b>	10 mm
<b>Grease fitting (G)</b>	M6x1
<b>Centering dia (H3)</b>	80 mm
<b>Mounting hole distance (J)</b>	100 mm
<b>Housing width / dia (L)</b>	125 mm
<b>Mounting hole dimension (N)</b>	12 mm
<b>Dist. cent. of raceway to face IR on side opp. lock. device (S)</b>	15,9 mm
<b>Brand</b>	SNR

### PRODUCT PERFORMANCE

<b>Dynamic load rating (C)</b>	19,5 kN
<b>Static load rating (C0)</b>	11,2 kN
<b>Operating temperature min.</b>	-20 °C
<b>Operating temperature max.</b>	100 °C