



Technical data

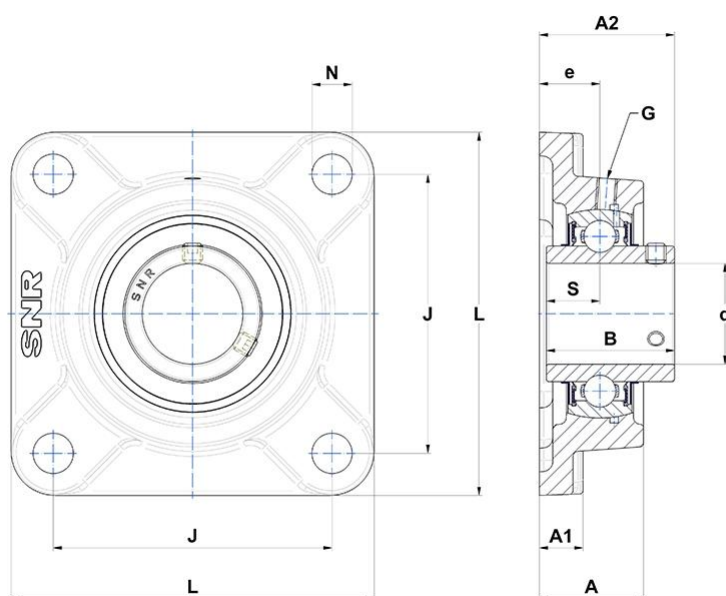
UCF320 Bearing units

Grey cast housing, radial insert ball bearing with socket set screws, seal with slinger

KIT CONTENT

UC320G2, UC320G2, F320

VISUAL (S)



OTHER FEATURES

| | |
|--|----------|
| Mass | 25,6 kg |
| Recommended tightening torque for set screw [Nm] | 75.0 N-m |

PRODUCT DIMENSIONS

| | |
|--|--------|
| Housing height (A) | 94 mm |
| Housing foot height / flange height (A1) | 32 mm |
| Total height (Housing + Insert) from mounting surface (A2) | 125 mm |

PRODUCT DIMENSIONS

| | |
|--|--------|
| Width of IR (B) | 108 mm |
| Shaft dia (d) | 100 mm |
| Distance mounting surface - bearing center (e) | 59 mm |
| Grease fitting (G) | M10x1 |
| Mounting hole distance (J) | 242 mm |
| Housing width / dia (L) | 310 mm |
| Mounting hole dimension (N) | 38 mm |
| Dist. cent. of raceway to face IR on side opp. lock. device (S) | 42 mm |
| Brand | SNR |

PRODUCT PERFORMANCE

| | |
|-----------------------------------|----------|
| Dynamic load rating (C) | 171,6 kN |
| Static load rating (C0) | 140 kN |
| Operating temperature min. | -20 °C |
| Operating temperature max. | 100 °C |