



## Technical data

### UCF216

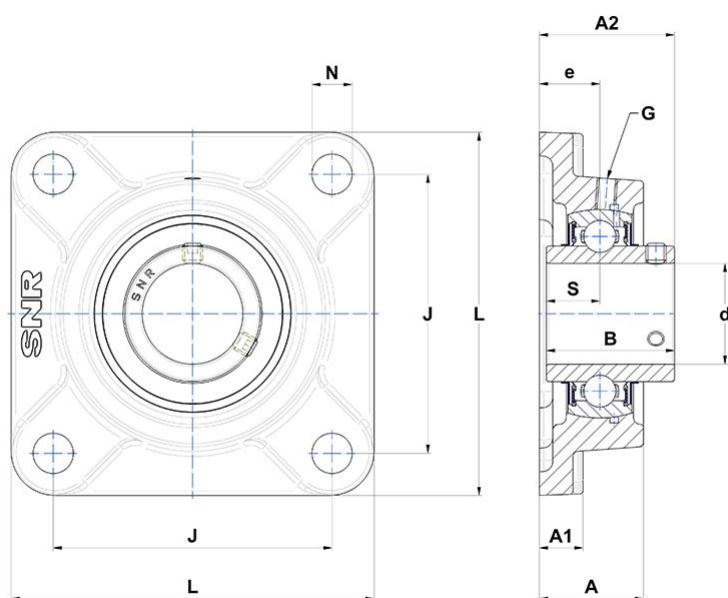
Bearing units

Grey cast housing, radial insert ball bearing with socket set screws, seal with slinger

#### KIT CONTENT

UC216G2, F216

#### VISUAL (S)



#### OTHER FEATURES

Mass	6,86 kg
Recommended tightening torque for set screw [Nm]	33.0 N-m

#### PRODUCT DIMENSIONS

Housing height (A)	57 mm
Housing foot height / flange height (A1)	22 mm
Total height (Housing + Insert) from mounting surface (A2)	83,3 mm

**PRODUCT DIMENSIONS**

<b>Width of IR (B)</b>	82,6 mm
<b>Shaft dia (d)</b>	80 mm
<b>Distance mounting surface - bearing center (e)</b>	34 mm
<b>Grease fitting (G)</b>	M10x1
<b>Mounting hole distance (J)</b>	165 mm
<b>Housing width / dia (L)</b>	208 mm
<b>Mounting hole dimension (N)</b>	23 mm
<b>Dist. cent. of raceway to face IR on side opp. lock. device (S)</b>	33,3 mm
<b>Brand</b>	SNR

**PRODUCT PERFORMANCE**

<b>Dynamic load rating (C)</b>	72,5 kN
<b>Static load rating (C0)</b>	54,2 kN
<b>Operating temperature min.</b>	-20 °C
<b>Operating temperature max.</b>	100 °C