



Technical data

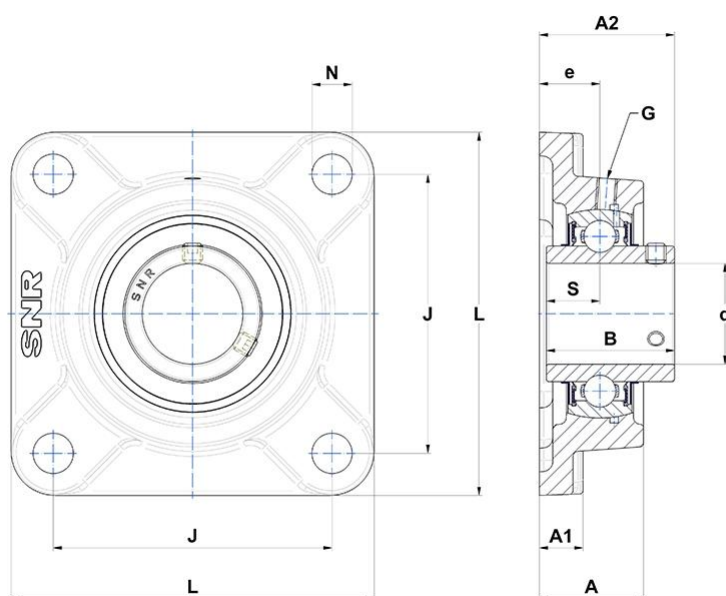
UCF211 Bearing units

Grey cast housing, radial insert ball bearing with socket set screws, seal with slinger

KIT CONTENT

UC211G2, F211

VISUAL (S)



PRODUCT DIMENSIONS

Housing height (A)	43 mm
Housing foot height / flange height (A1)	18 mm
Total height (Housing + Insert) from mounting surface (A2)	58,4 mm
Width of IR (B)	55,6 mm
Shaft dia (d)	55 mm
Distance mounting surface - bearing center (e)	25 mm

PRODUCT DIMENSIONS

Grease fitting (G)	M6x1
Mounting hole distance (J)	130 mm
Housing width / dia (L)	162 mm
Mounting hole dimension (N)	19 mm
Dist. cent. of raceway to face IR on side opp. lock. device (S)	22,2 mm
Brand	SNR

OTHER FEATURES

Mass	3,31 kg
Recommended tightening torque for set screw [Nm]	22.0 N-m

PRODUCT PERFORMANCE

Dynamic load rating (C)	43,55 kN
Static load rating (C0)	29,2 kN
Operating temperature min.	-20 °C
Operating temperature max.	100 °C